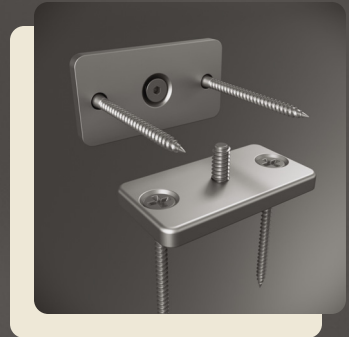
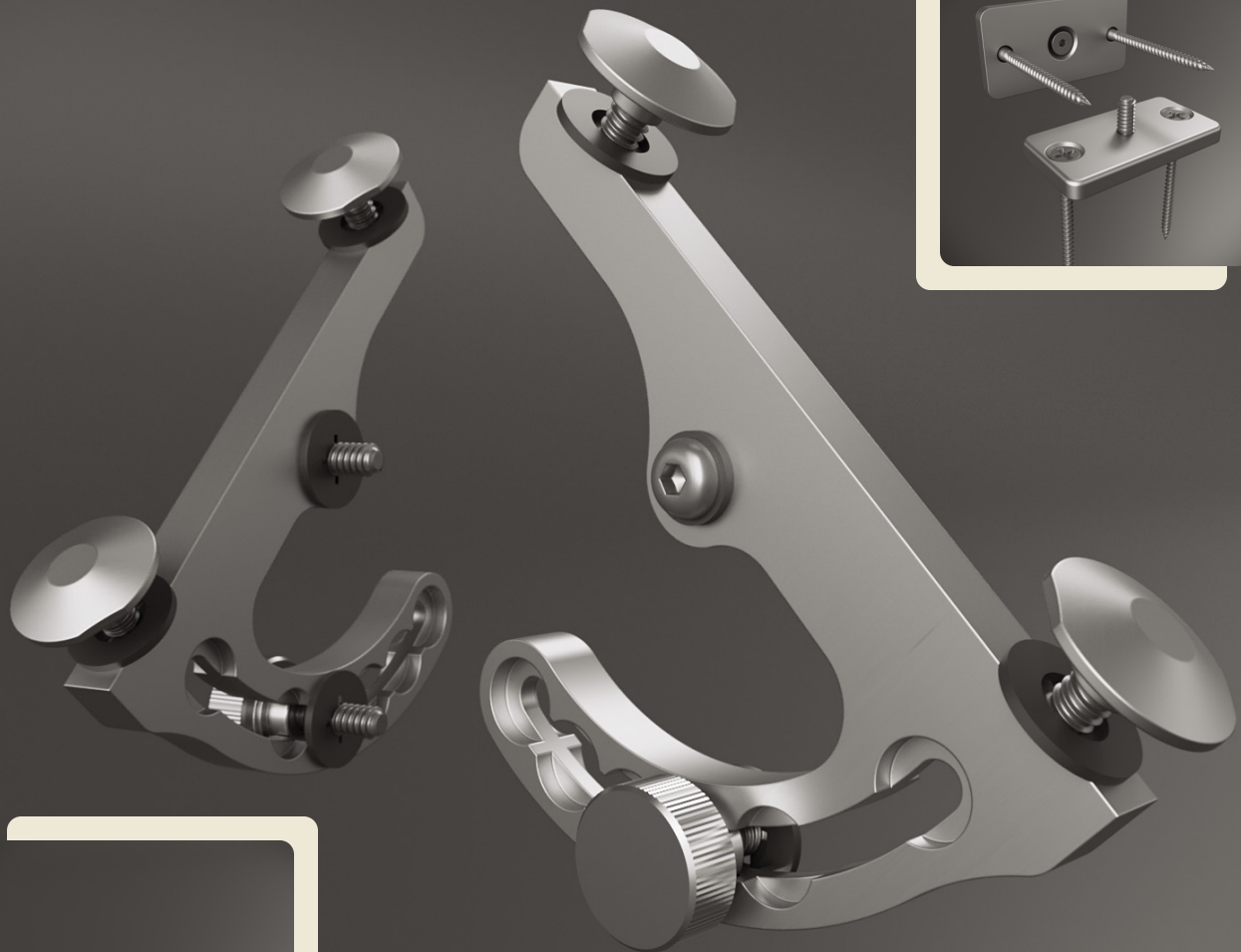


vanilla™

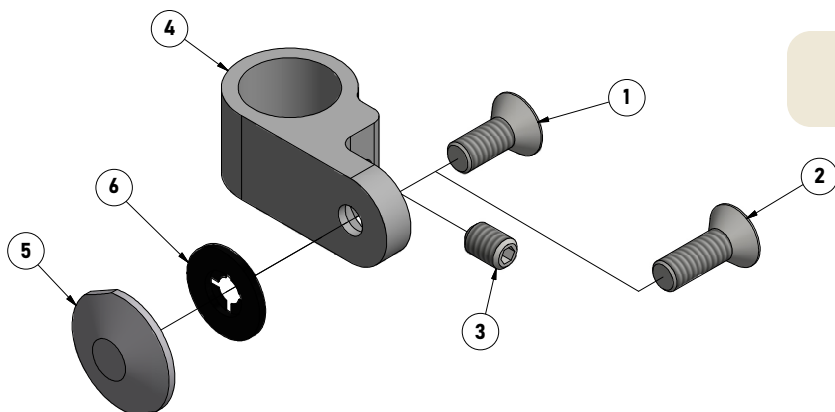
vanillafs.com info@vanillafs.com 678.765.2224



COMPONENT KITS

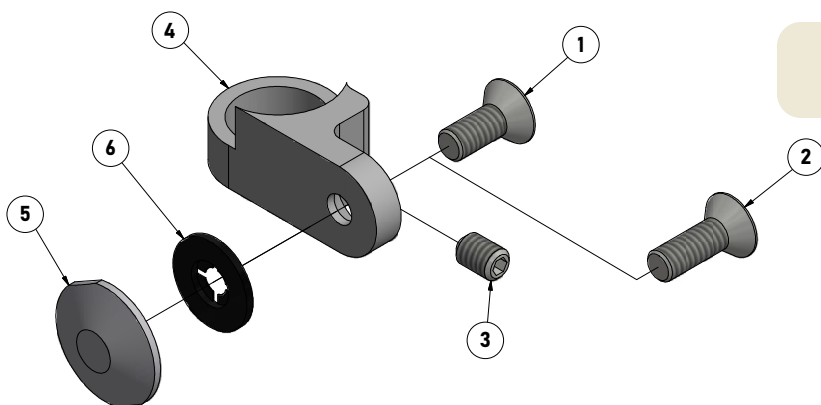


Protected by one or more of the following US Patents: (10,292,506) (10,413,097)



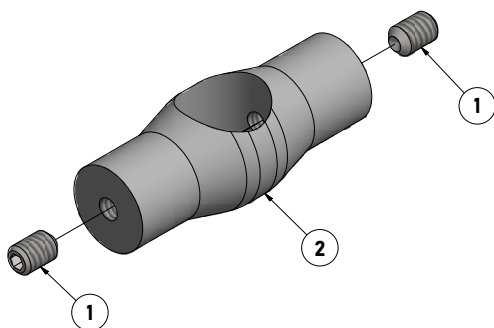
VAB1-K

Parts List		
ITEM	QTY	PART NUMBER
1	1	FHM.625-B (1/4" GLASS)
2	1	FHM.75-B (3/8" GLASS)
3	1	SHM.375P-B
4	1	VAB1
5	1	VGf
6	1	W-3QR



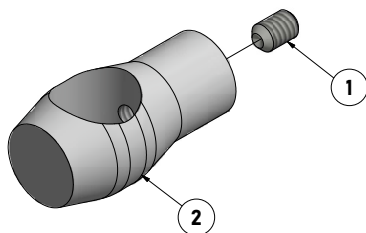
VAB2-K

Parts List		
ITEM	QTY	PART NUMBER
1	1	FHM.625-B (1/4" GLASS)
2	1	FHM.75-B (3/8" GLASS)
3	1	SHM.375P-B
4	1	VAB2
5	1	VGf
6	1	W-3QR



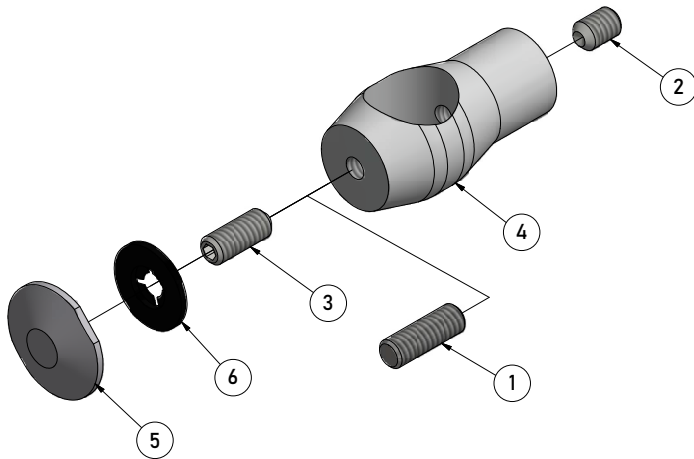
VB1-K

Parts List		
ITEM	QTY	PART NUMBER
1	2	SHM.375P-B
2	1	VB1



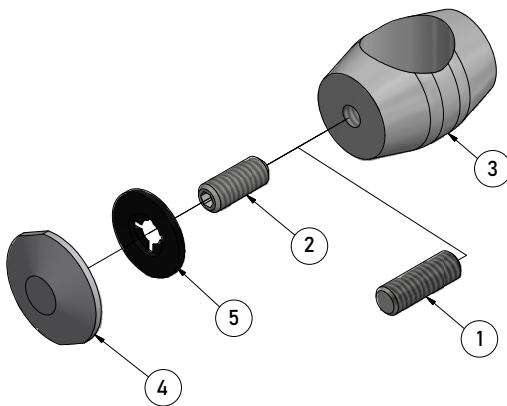
VB2-K

Parts List		
ITEM	QTY	PART NUMBER
1	1	SHM.375P-B
2	1	VB2



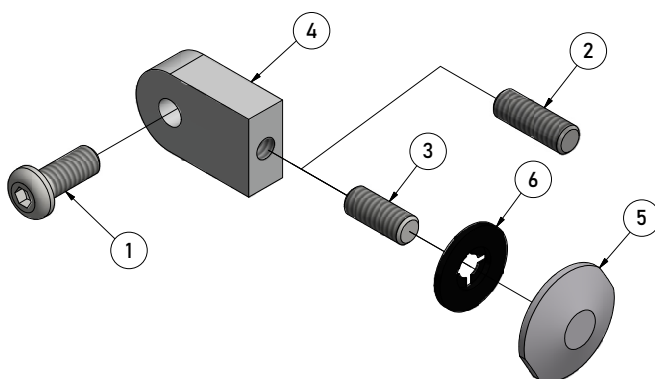
VB3-K

Parts List		
ITEM	QTY	PART NUMBER
1	1	M.75-B (3/8" GLASS)
2	1	SHM.375P-B
3	1	SHM.625P-B (1/4" GLASS)
4	1	VB3
5	1	VGf
6	1	W-3QR



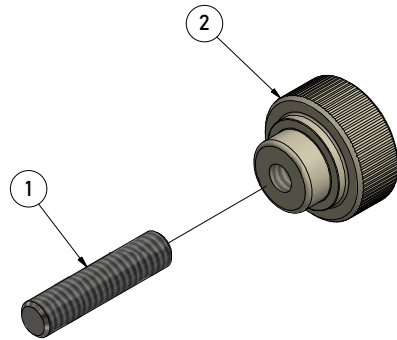
VB4-K

Parts List		
ITEM	QTY	PART NUMBER
1	1	M.75-B (3/8" GLASS)
2	1	SHM.625P-B (1/4" GLASS)
3	1	VB4
4	1	VGf
5	1	W-3QR



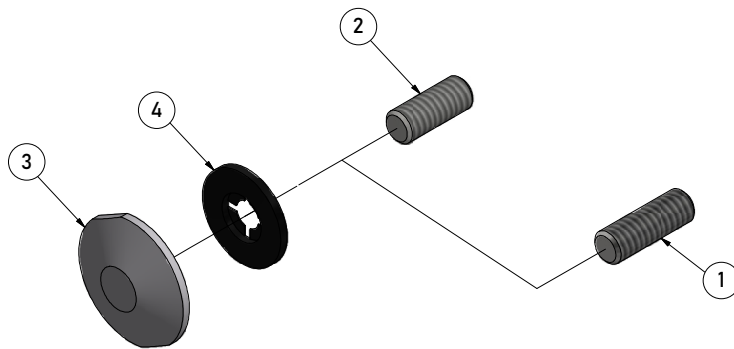
VB5-K

Parts List		
ITEM	QTY	PART NUMBER
1	1	BHM.625-B
2	1	M.75-B (3/8" GLASS)
3	1	M.625-B (1/4" GLASS)
4	1	VB5
5	1	VGf
6	1	W-3QR



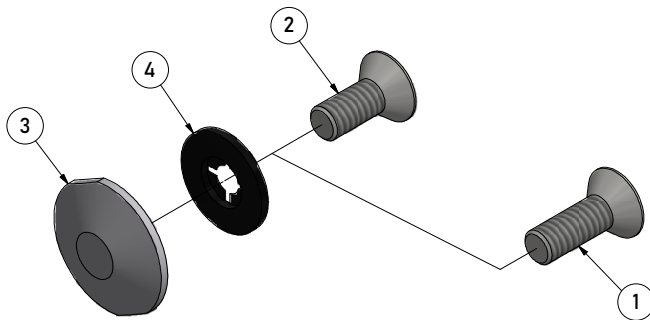
VTK-K

Parts List		
ITEM	QTY	PART NUMBER
1	1	M1.125-B
2	1	VTK



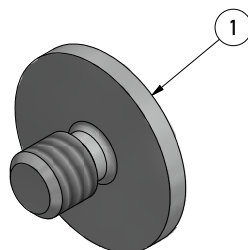
VGF-S

Parts List		
ITEM	QTY	PART NUMBER
1	1	M.75-B (3/8" GLASS)
2	1	M.625-B (1/4" GLASS)
3	1	VGF
4	1	W-3QR



VGF-M

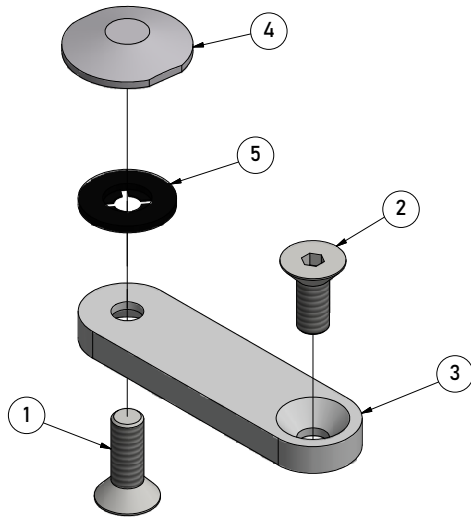
Parts List		
ITEM	QTY	PART NUMBER
1	1	FHM.75-B (3/8" GLASS)
2	1	FHM.625-B (1/4" GLASS)
3	1	VGF
4	1	W-3QR



VEC

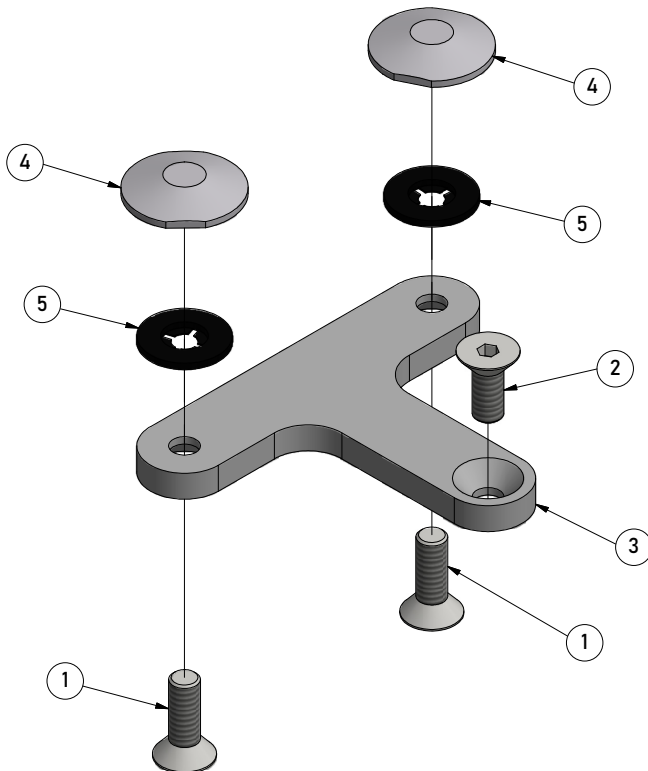
Parts List		
ITEM	QTY	PART NUMBER
1	1	VEC

VB20-K

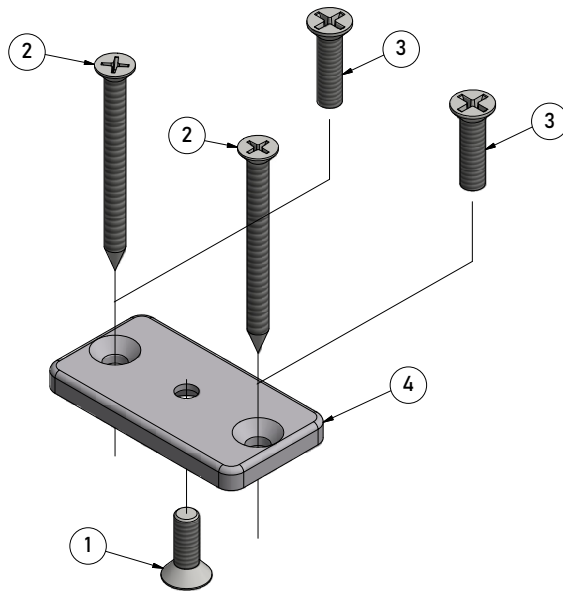


Parts List		
ITEM	QTY	PART NUMBER
1	1	FHM.75-B
2	1	FHM.625-B
3	1	VB20
4	1	VGf
5	1	W-3QR

VB20T-K

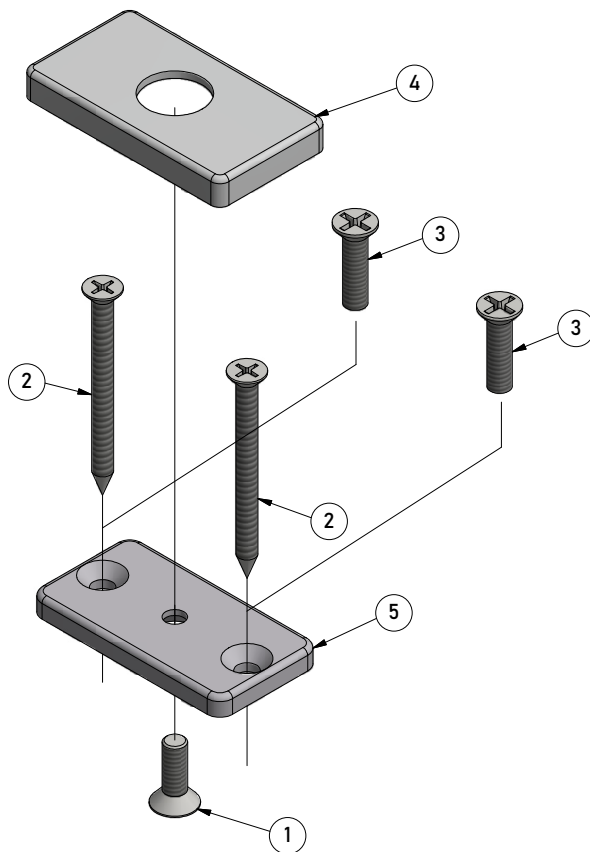


Parts List		
ITEM	QTY	PART NUMBER
1	2	FHM.75-B
2	1	FHM.625-B
3	1	VB20T
4	2	VGf
5	2	W-3QR



VF6-K

Parts List		
ITEM	QTY	PART NUMBER
1	1	FHM.75-B
2	2	FPA2.5-G (SHEET METAL SCREW)
3	2	FPM1.0-B (MACHINE SCREW)
4	1	VF6

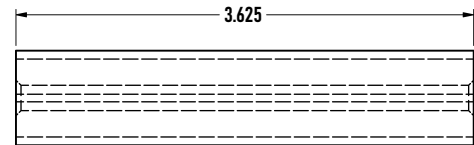


VF6-5C-K

Parts List		
ITEM	QTY	PART NUMBER
1	1	FHM.75-B
2	2	FPA2.5-G (SHEET METAL SCREW)
3	2	FPM1.0-B (MACHINE SCREW)
4	1	VF5C
5	1	VF6

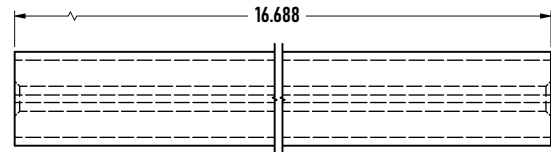
VP-3.625

.75" Ø x 3.625" LONG. USED ON VANILLA MODELS V1, V5, V6



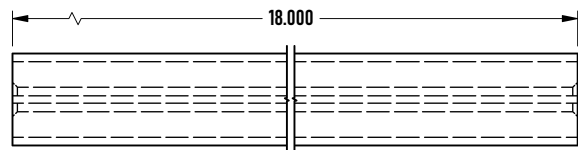
VP-16.7

.75" Ø x 16.688 LONG. USED ON VANILLA MODELS: V1, V5



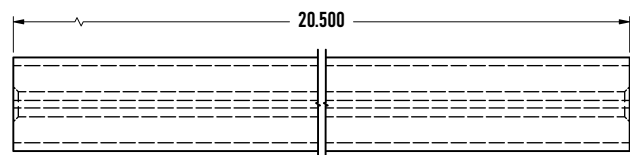
VP-18

.75" Ø x 18.0" LONG. USED ON VANILLA MODELS: V4



VP-20.5

.75" Ø x 20.5" LONG. USED ON VANILLA MODELS: V2, V3, V6



P.75

.75" Ø x SPECIFIED LENGTH. AVAILABLE IN 2'-0" INCREMENTS UP TO 8'-0".
MINIMUM LENGTH IS 2'-0"

