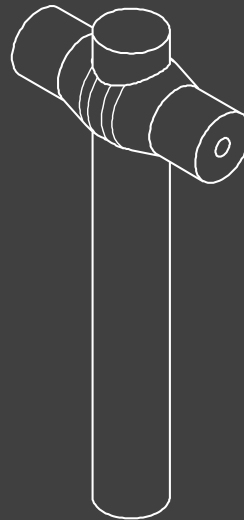
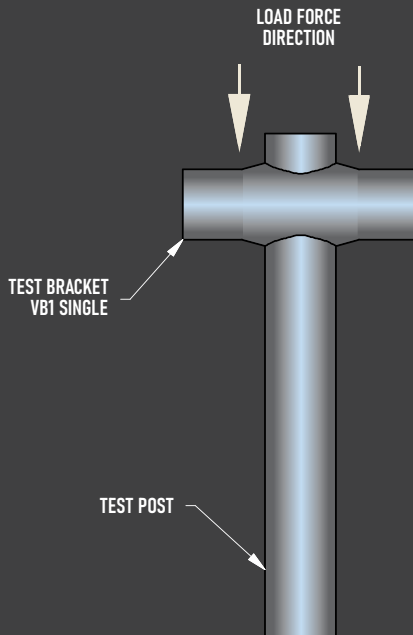


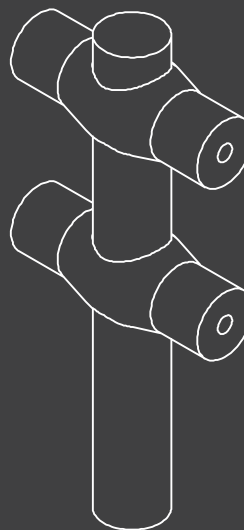
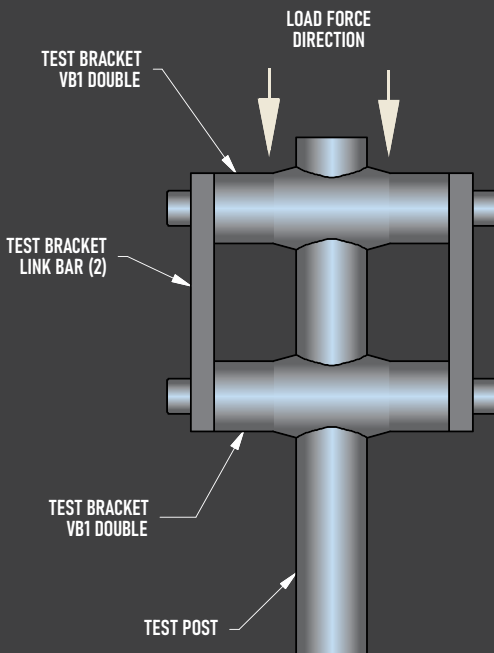
VB1 SINGLE



BRACKETS SECURED TO POST WITH (4) 1/4"-20 x 3/8" LONG CUP POINT SOCKET HEAD SET SCREWS TORQUED TO A MINIMUM VALUE OF 50 in.-lb.

| VB1 SINGLE | |
|------------|----------|
| SAMPLE ID | LOAD |
| VB1-1 | 800 lbs |
| VB1-2 | 752 lbs |
| VB1-3 | 795 lbs |
| VB1-4 | 1092 lbs |
| ++++++ | ++++++ |
| AVERAGE | 860 lbs |

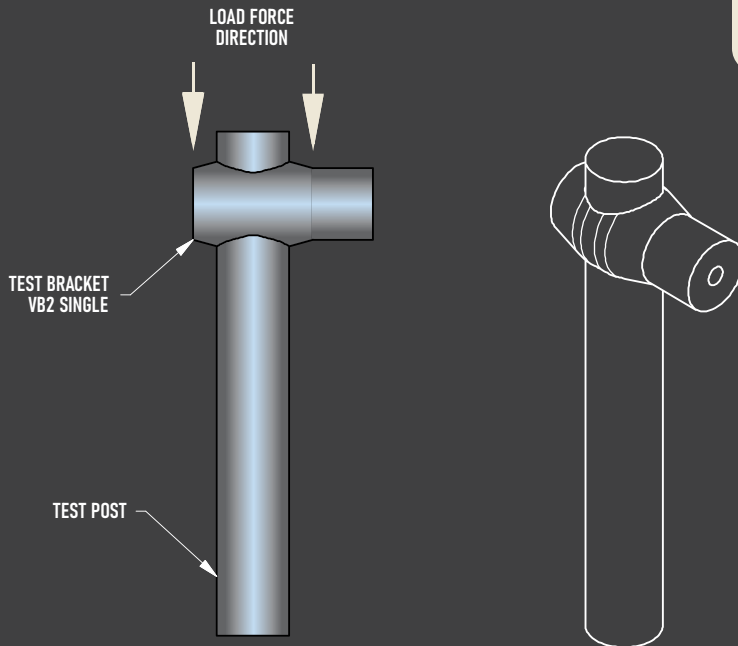
VB1 DOUBLE



BRACKETS SECURED TO POST WITH (4) 1/4"-20 x 3/8" LONG CUP POINT SOCKET HEAD SET SCREWS TORQUED TO A MINIMUM VALUE OF 50 in.-lb.

| VB1 DOUBLE | |
|------------|----------|
| SAMPLE ID | LOAD |
| VB1-2-1 | 1666 lbs |
| VB1-2-2 | 2098 lbs |
| ++++++ | ++++++ |
| AVERAGE | 1882 lbs |

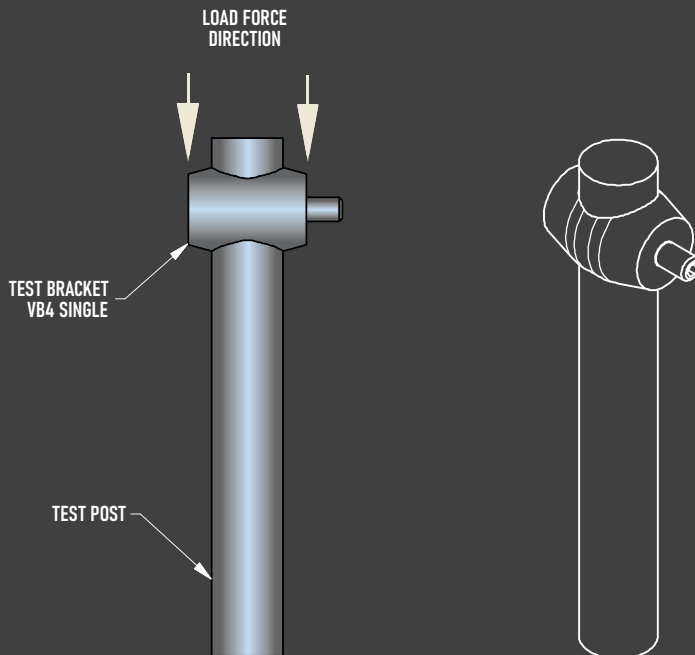
VB2 SINGLE



BRACKETS SECURED TO POST WITH (1) 1/4"-20 x 3/8" LONG CUP POINT SOCKET HEAD SET SCREWS TORQUED TO A MINIMUM VALUE OF 50 in.-lb.

| VB1 SINGLE | |
|------------|---------|
| SAMPLE ID | LOAD |
| VB2-1 | 892 lbs |
| VB2-2 | 827 lbs |
| VB2-3 | 633 lbs |
| VB2-4 | 920 lbs |
| ++++++ | ++++++ |
| AVERAGE | 818 lbs |

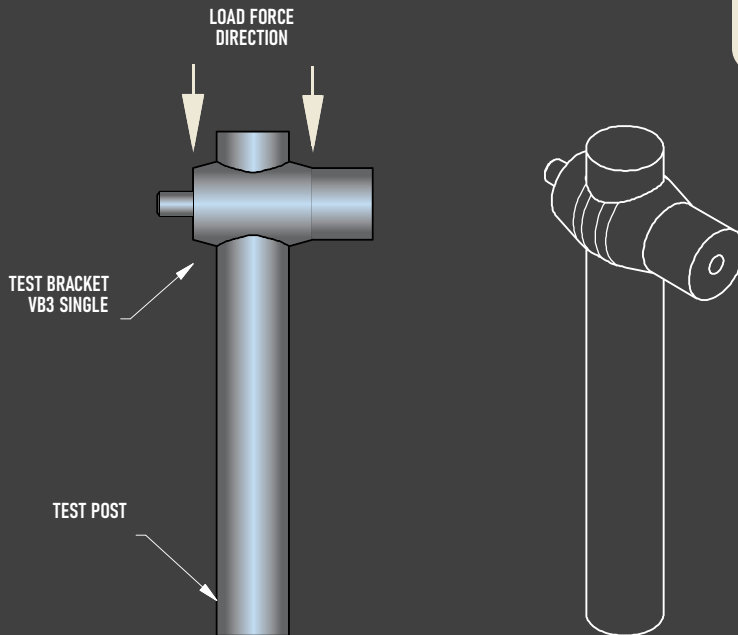
VB4 SINGLE



BRACKETS SECURED TO POST WITH (1) 1/4"-20 x 5/8" LONG CUP POINT SOCKET HEAD SET SCREWS TORQUED TO A MINIMUM VALUE OF 50 in.-lb.

| VB4 SINGLE | |
|------------|----------|
| SAMPLE ID | LOAD |
| VB4-1 | 932 lbs |
| VB4-2 | 843 lbs |
| VB4-3 | 704 lbs |
| VB4-4 | 1066 lbs |
| ++++++ | ++++++ |
| AVERAGE | 866 lbs |

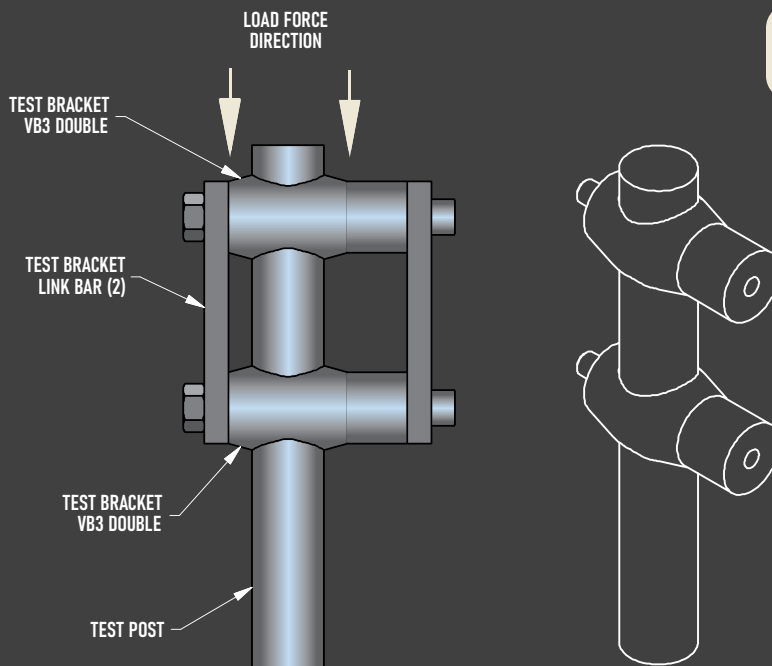
VB3 SINGLE



BRACKET SECURED TO POST WITH (1) 1/4"-20 x 3/8" LONG CUP POINT SOCKET HEAD SET SCREW AND (1) 1/4"-20 x 5/8" LONG SOCKET HEAD CUP POINT SET SCREW. EACH ONE IS TORQUED TO A MINIMUM VALUE OF 50 in-lb.

| VB3 SINGLE | |
|------------|----------|
| SAMPLE ID | LOAD |
| VB3-1 | 1422 lbs |
| VB3-2 | 1361 lbs |
| VB3-3 | 1549 lbs |
| VB3-4 | 1768 lbs |
| ++++++ | ++++++ |
| AVERAGE | 1525 lbs |

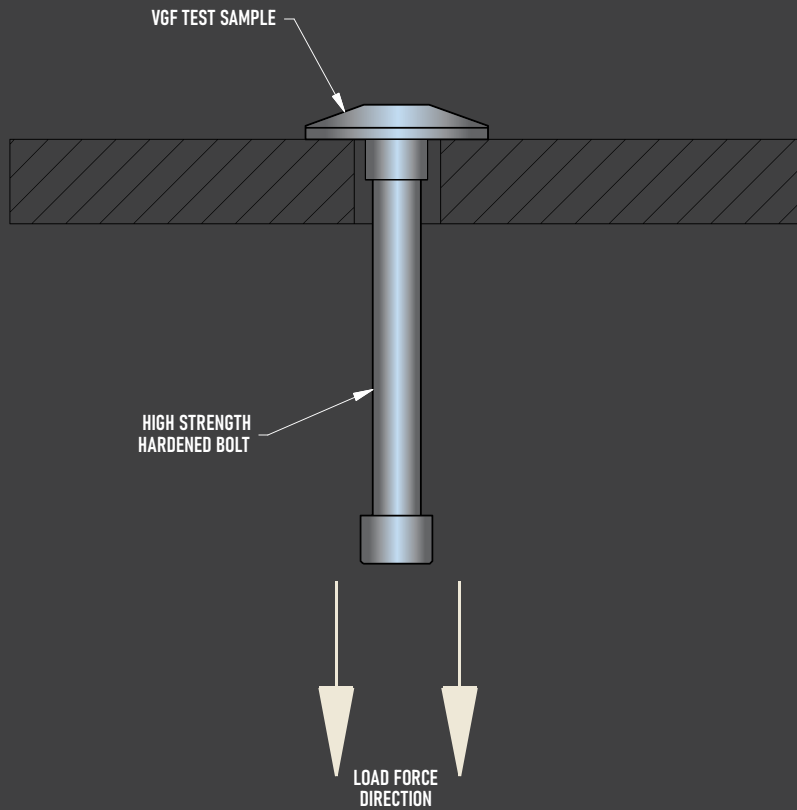
VB3 DOUBLE



BRACKET SECURED TO POST WITH (2) 1/4"-20 x 3/8" LONG CUP POINT SOCKET HEAD SET SCREWS AND (2) 1/4"-20 x 5/8" LONG SOCKET HEAD CUP POINT SET SCREWS. EACH ONE IS TORQUED TO A MINIMUM VALUE OF 50 in-lb.

| VB3 DOUBLE | |
|------------|----------|
| SAMPLE ID | LOAD |
| VB3-2-1 | 2972 lbs |
| VB3-2-2 | 2434 lbs |
| ++++++ | ++++++ |
| AVERAGE | 2703 lbs |

VGf



| VGf | |
|-----------|----------|
| SAMPLE ID | LOAD |
| VGf-1-AL | 2600 lbs |
| VGf-2-AL | 1619 lbs |
| VGf-3-AL | 1923 lbs |
| VGf-4-AL | 1422 lbs |
| ***** | ***** |
| AVERAGE | 1891 lbs |