

vanilla™

vanillafs.com info@vanillafs.com 678.765.2224



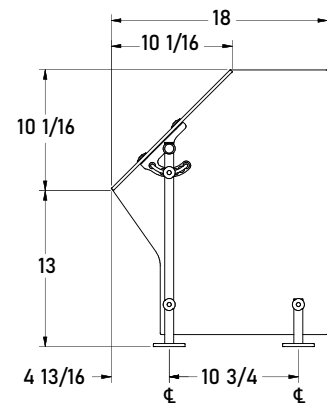
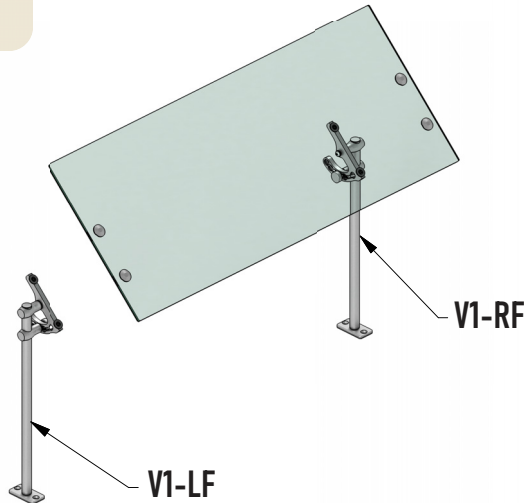
POST ASSEMBLY REFERENCE GUIDE



Protected by one or more of the following US Patents: (10,292,506) (10,413,097)

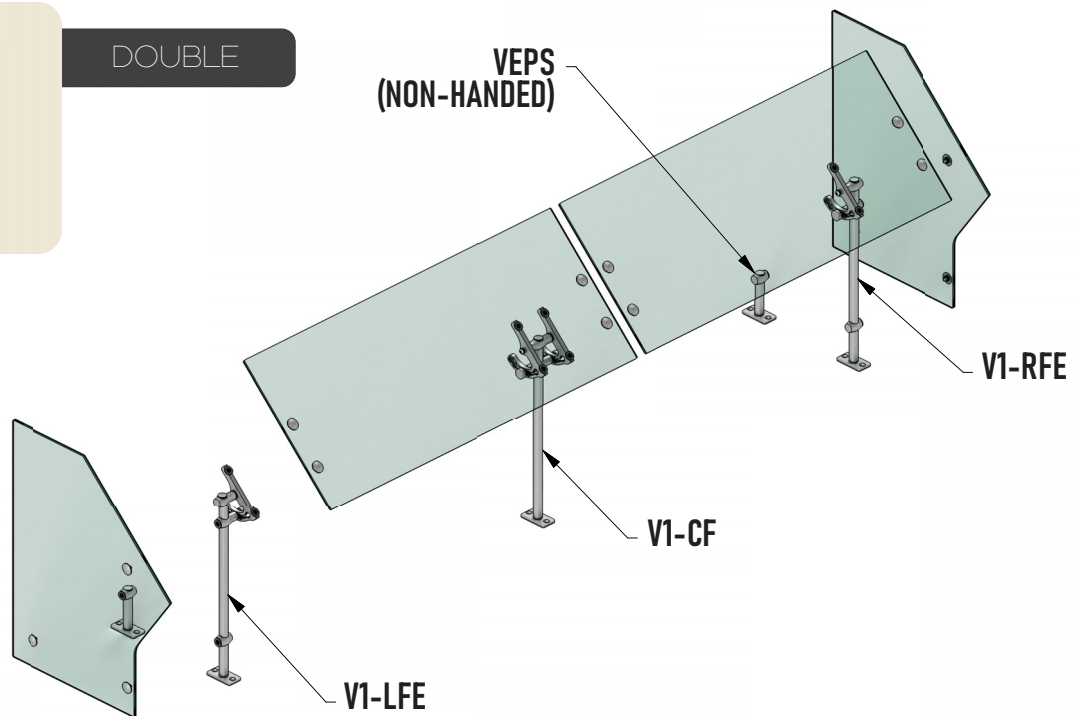
V1

SINGLE



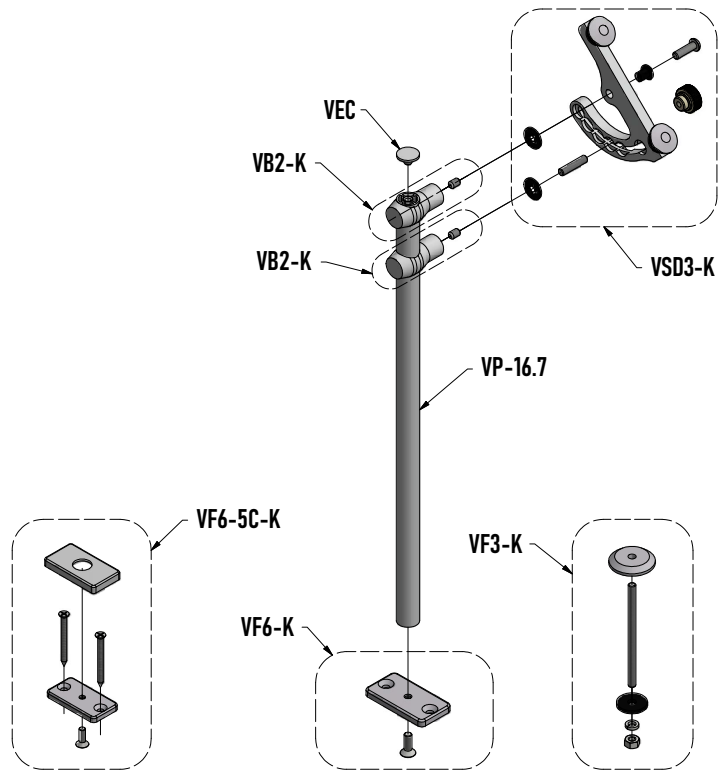
V1

DOUBLE



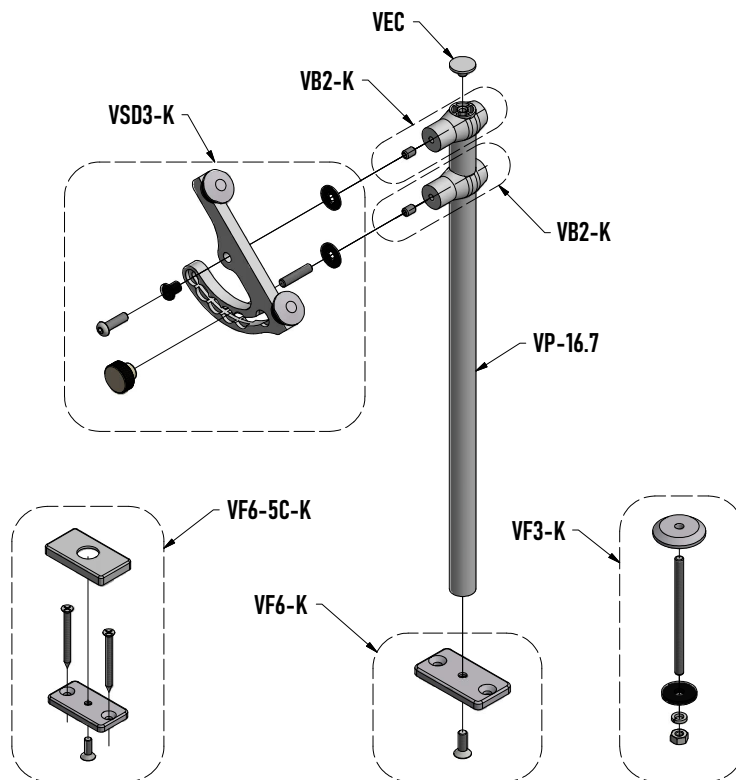
V1-LF

LEFT FRONT POST



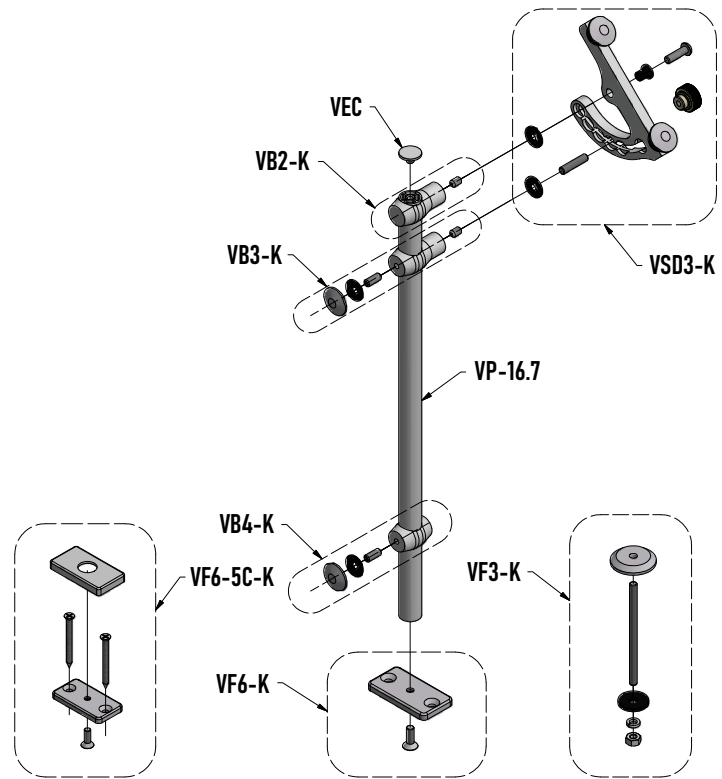
V1-RF

RIGHT FRONT POST



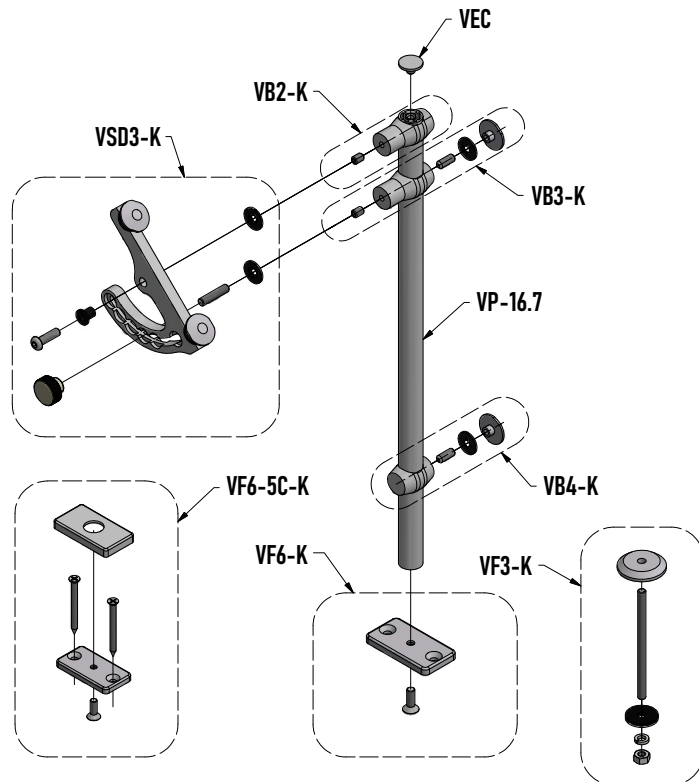
V1-LFE

LEFT FRONT END PANEL POST



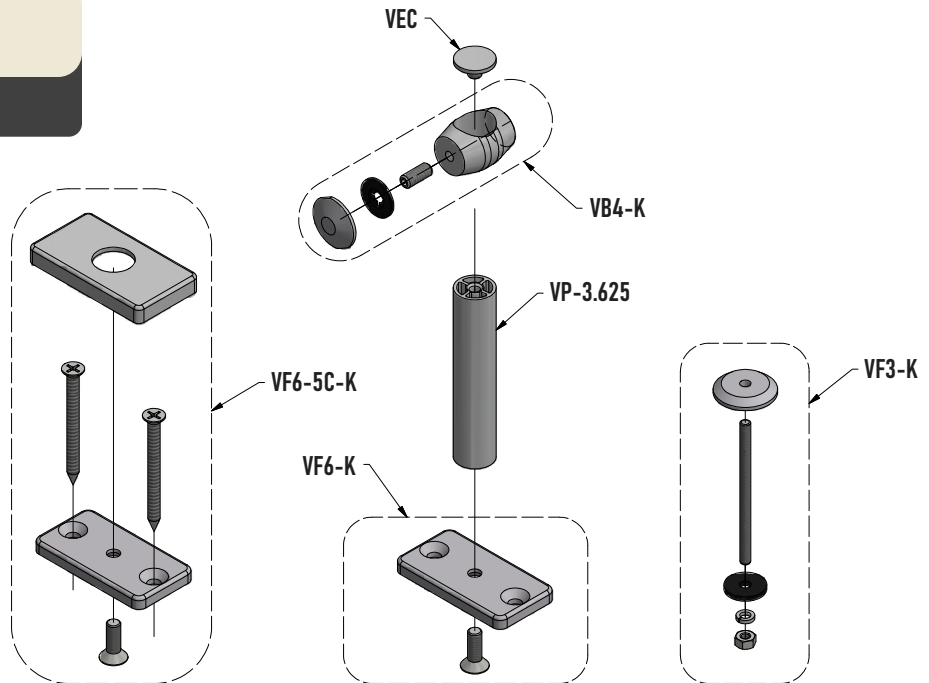
V1-RFE

RIGHT FRONT END PANEL POST



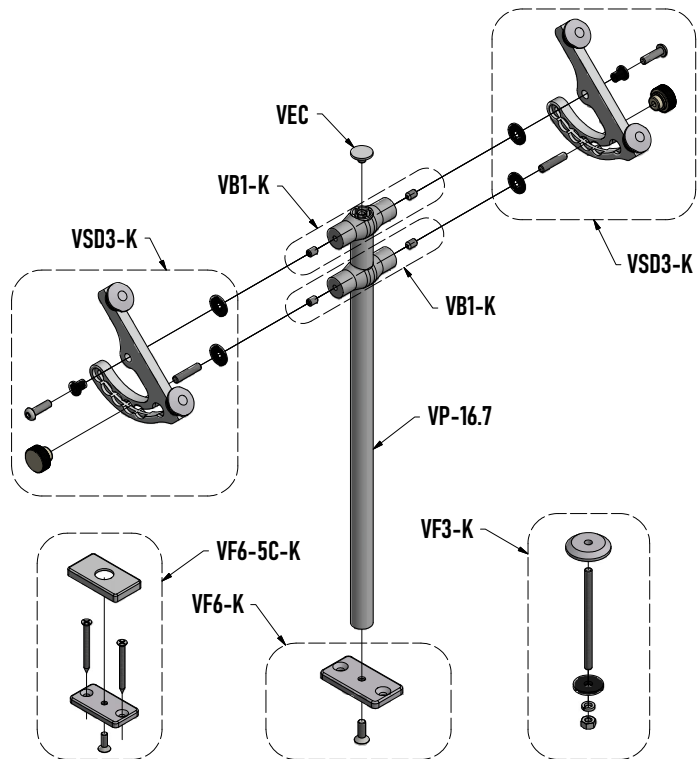
VEPS

END PANEL POST



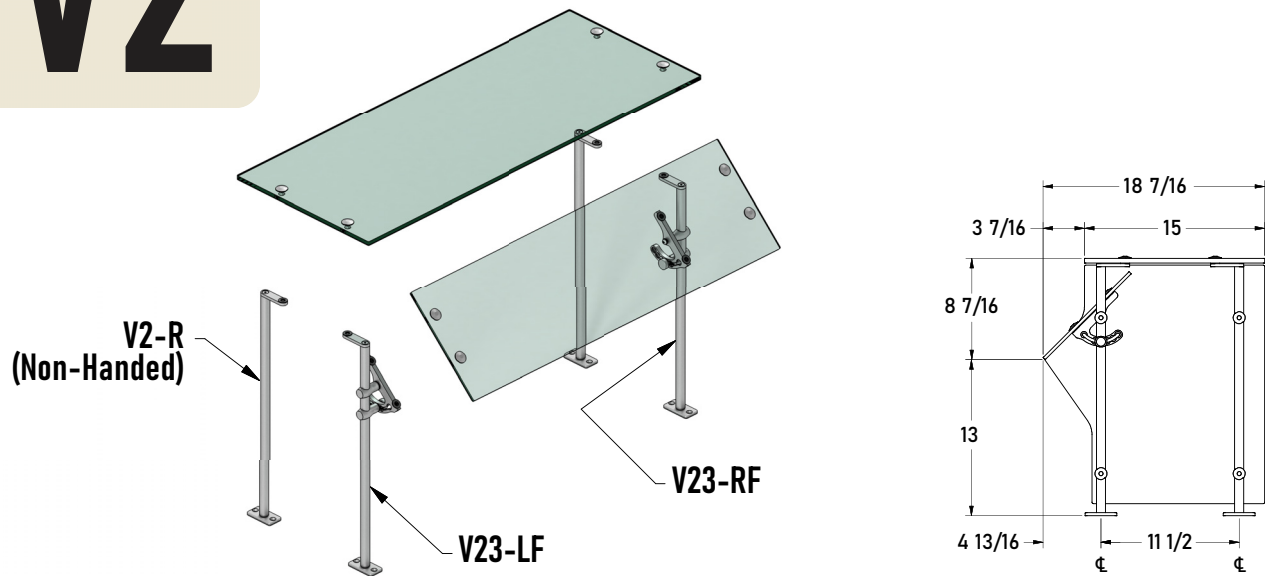
V1-CF

CENTER FRONT POST



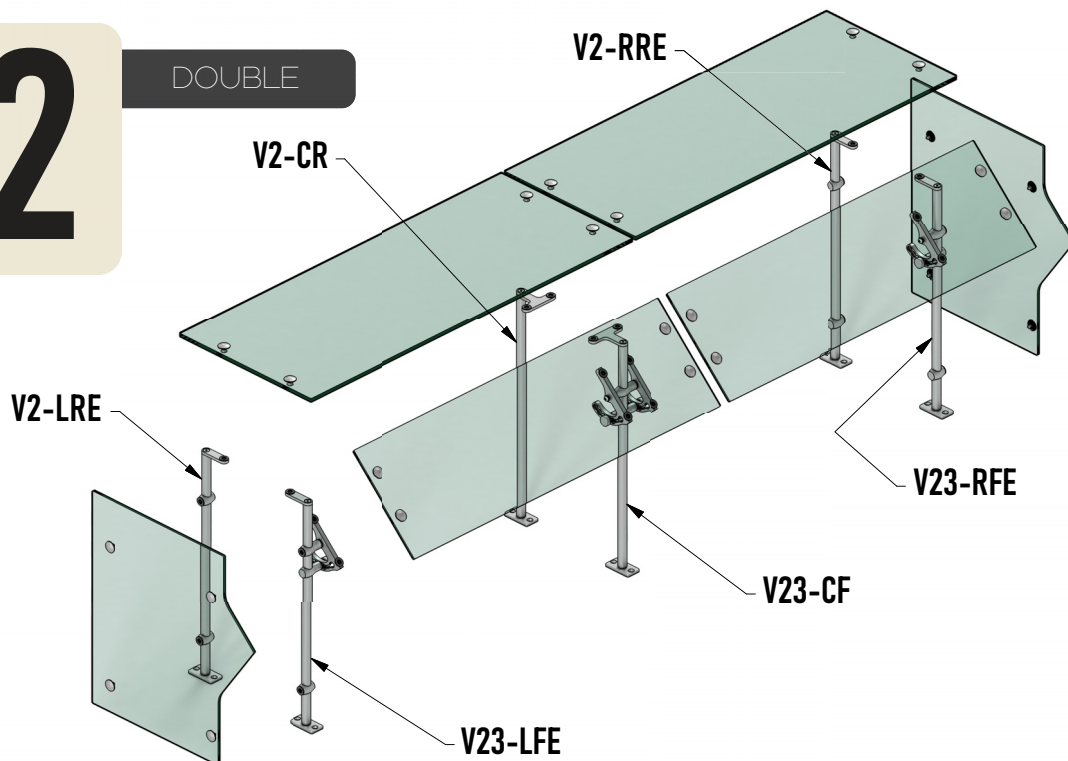
V2

SINGLE



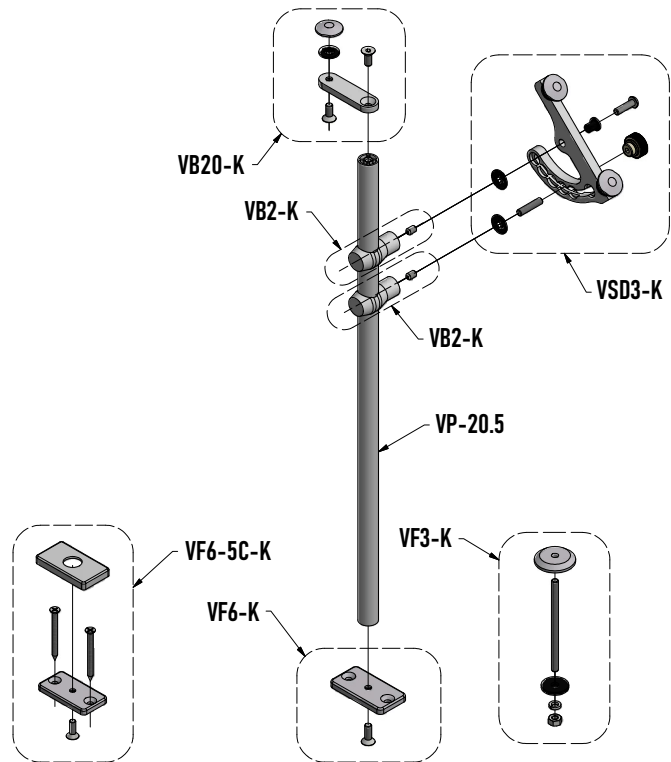
V2

DOUBLE



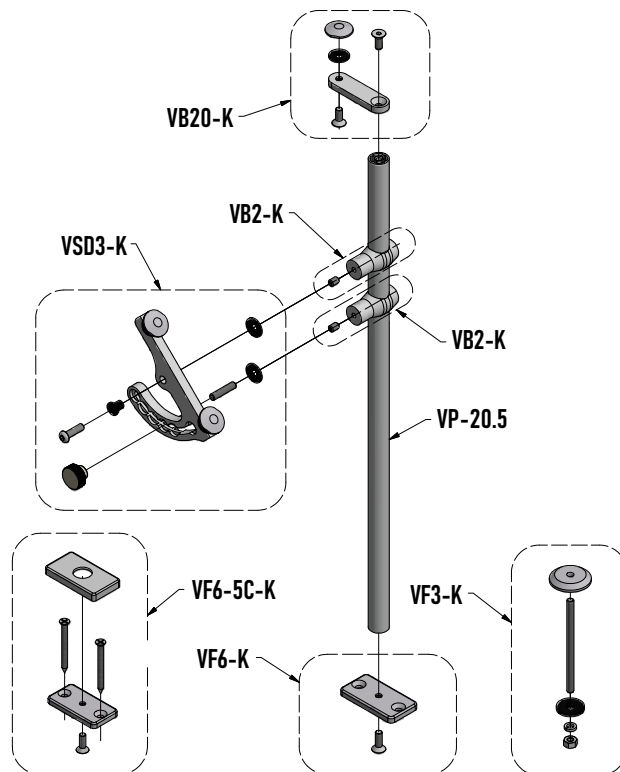
V23-LF

LEFT FRONT POST



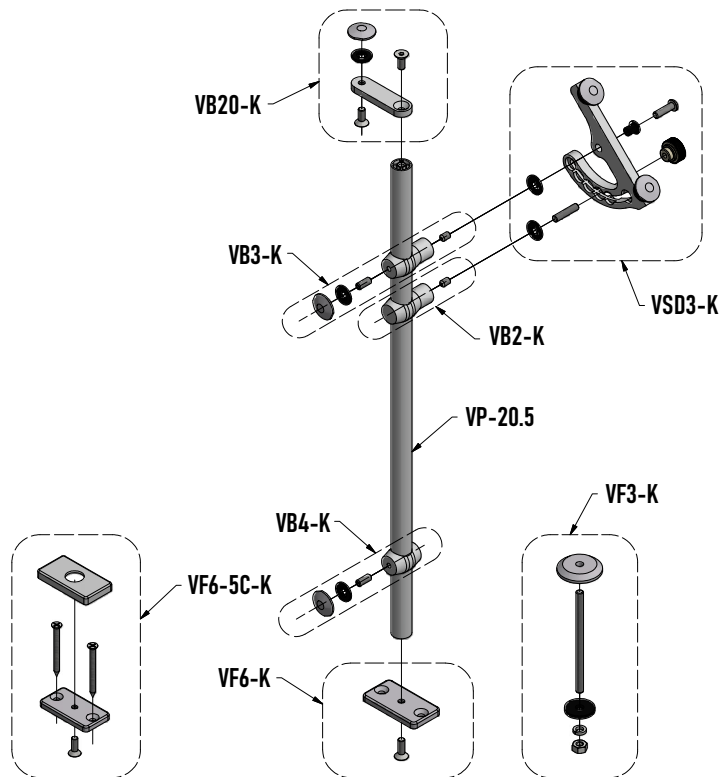
V23-RF

RIGHT FRONT POST



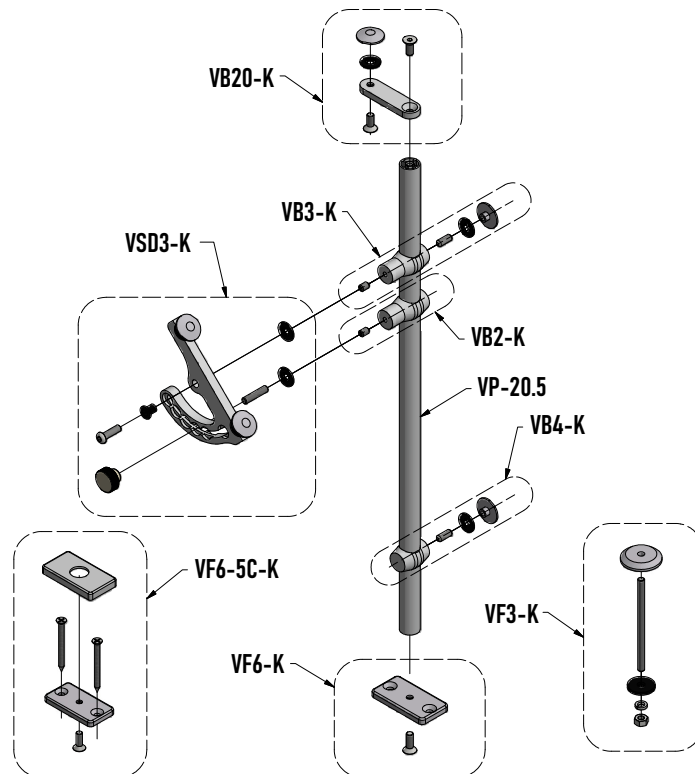
V23-LFE

LEFT FRONT END PANEL POST



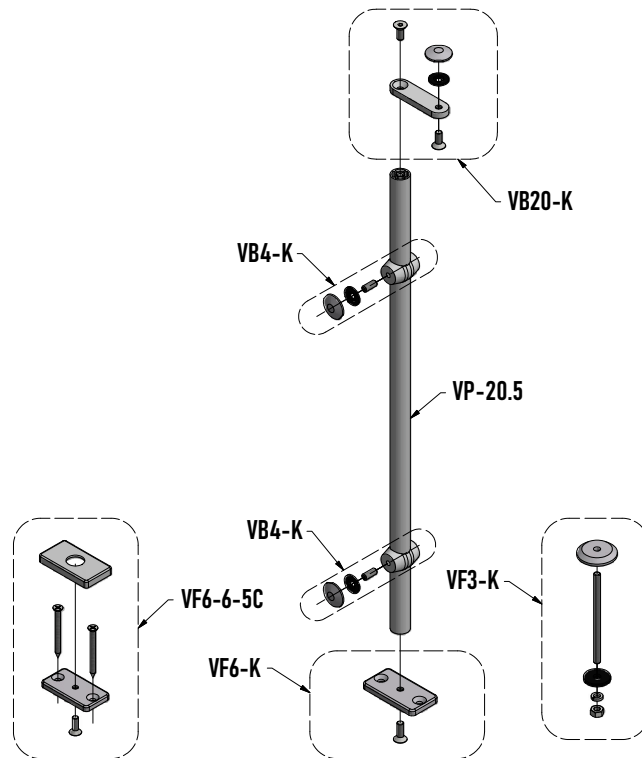
V23-RFE

RIGHT FRONT END PANEL POST



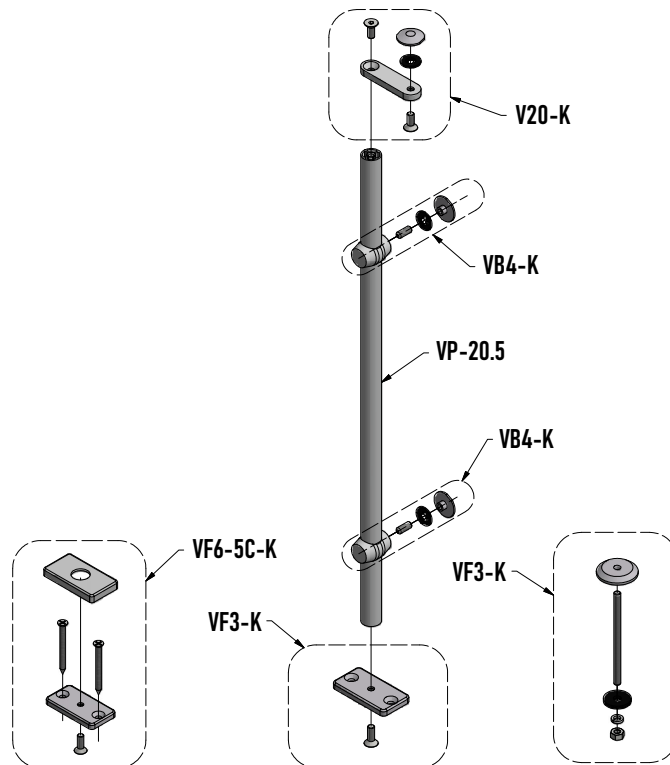
V2-LRE

LEFT REAR END PANEL POST



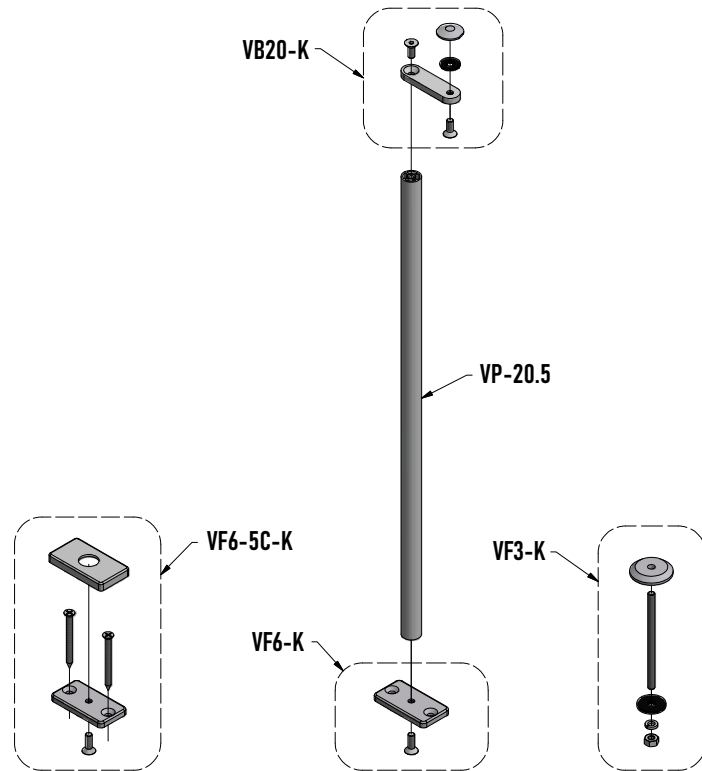
V2-RRE

RIGHT REAR END PANEL POST



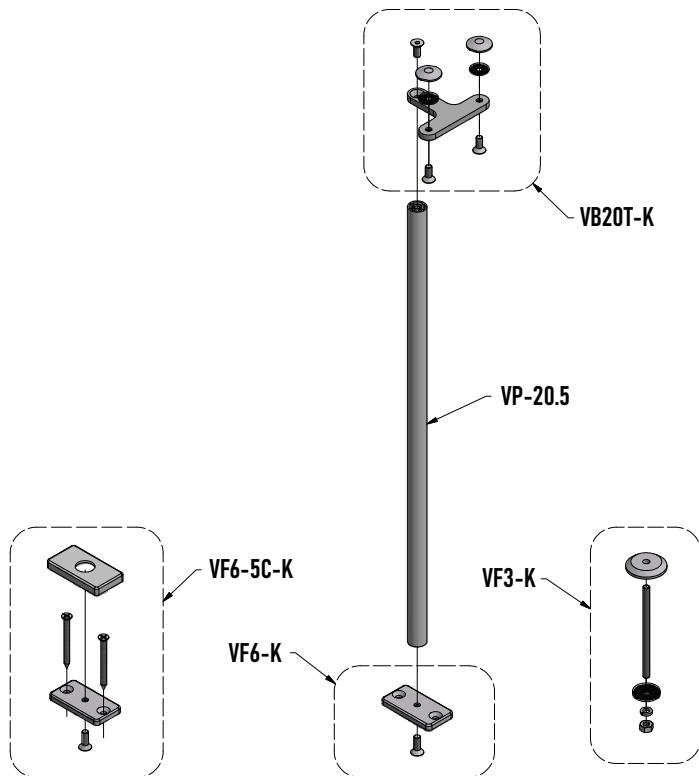
V2-R

REAR POST



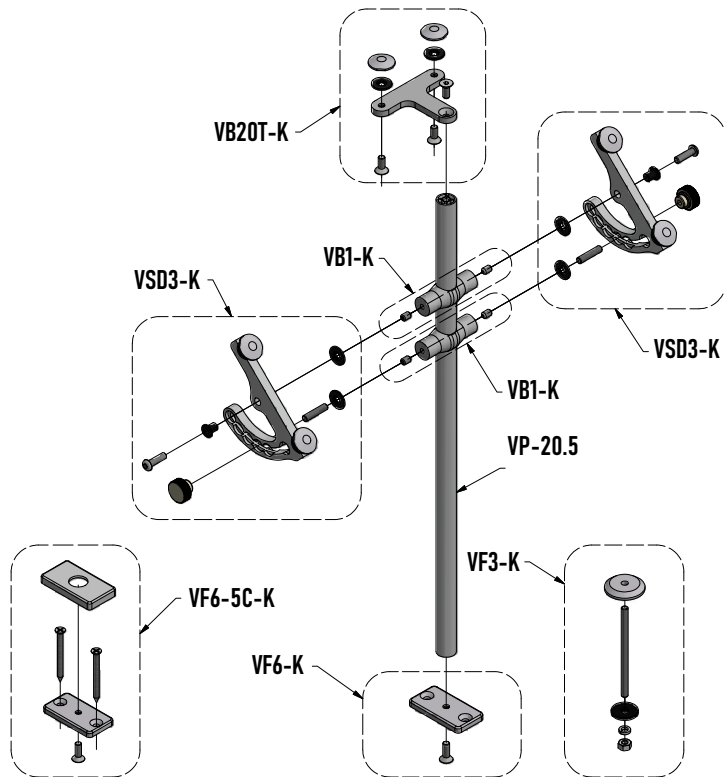
V2-CR

CENTER REAR POST



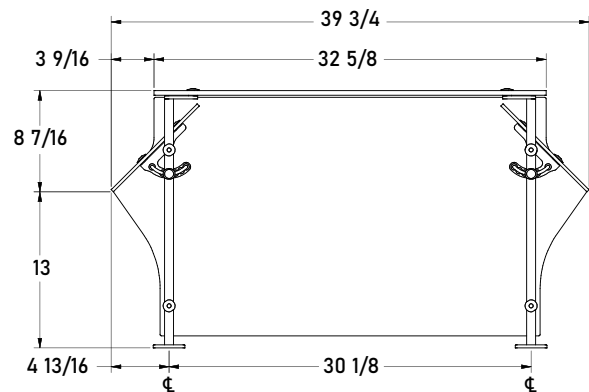
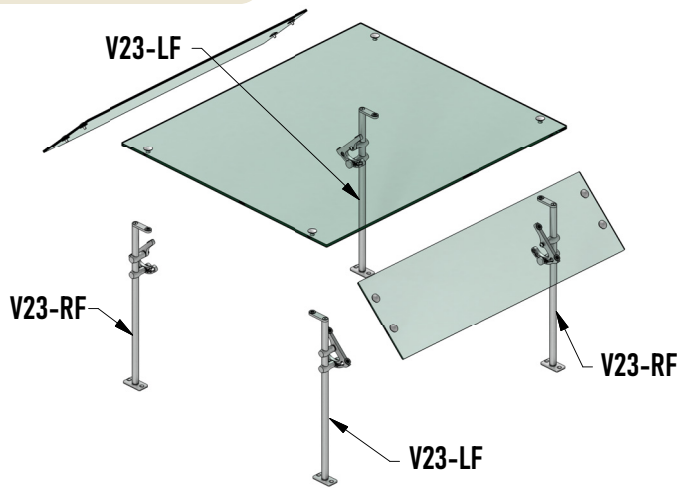
V23-CF

CENTER FRONT POST



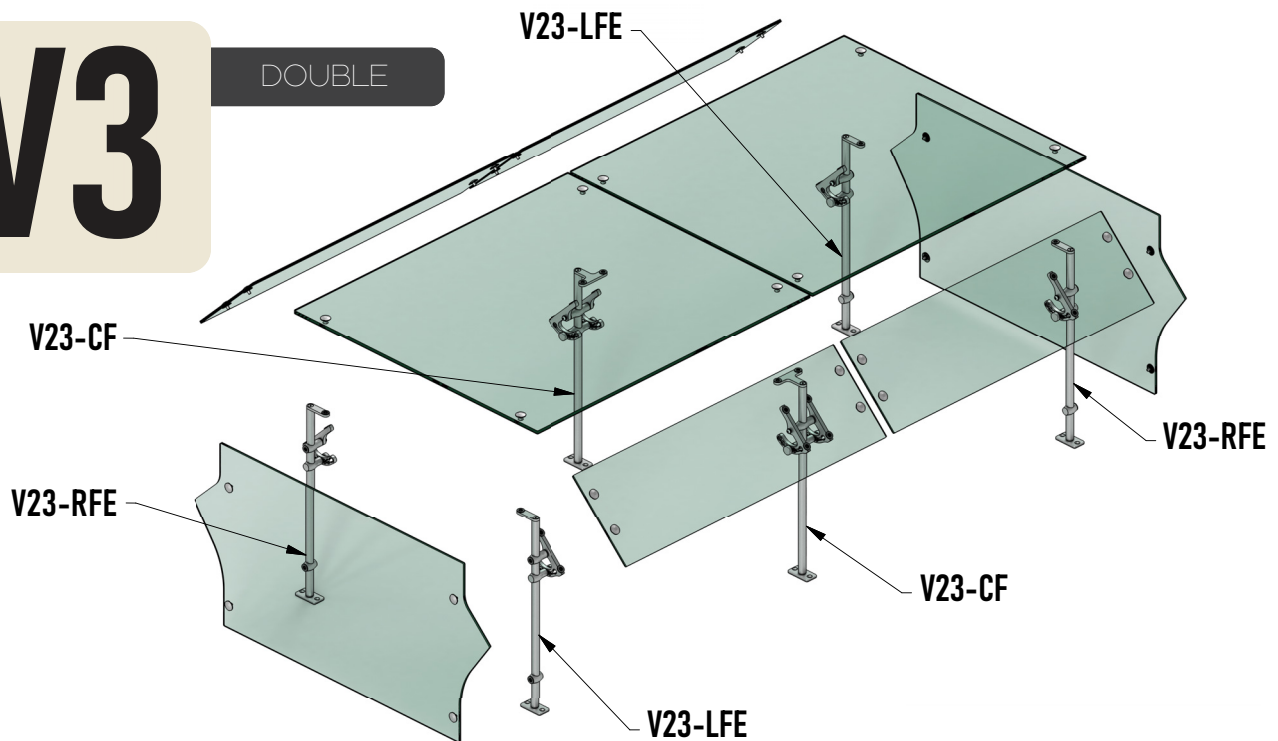
V3

SINGLE



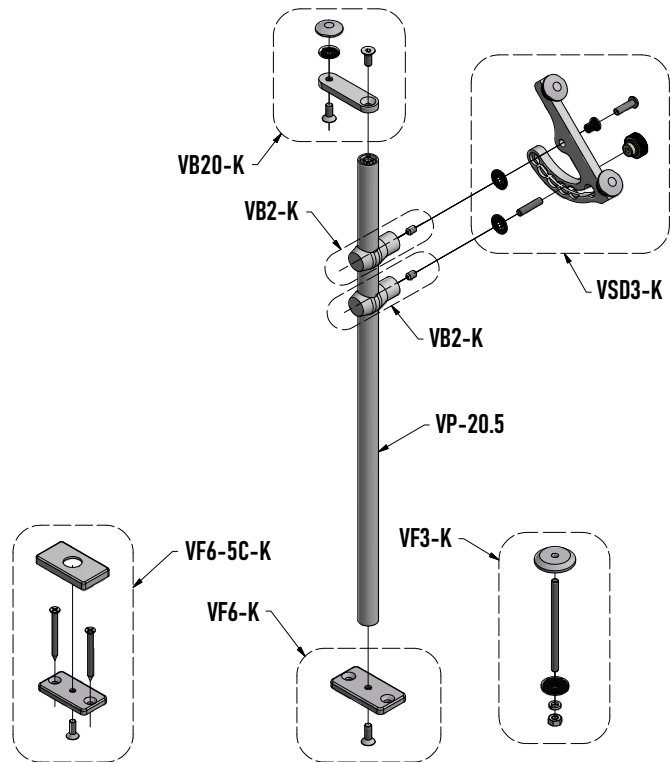
V3

DOUBLE



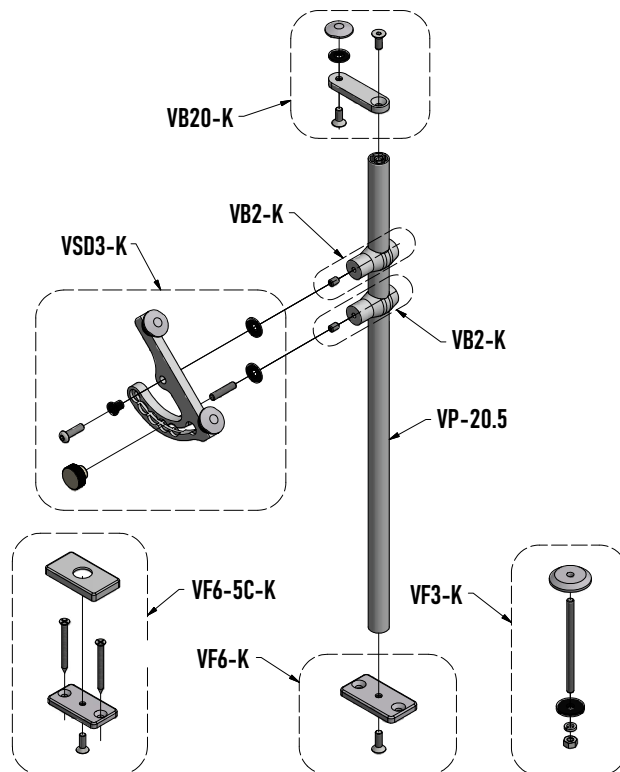
V23-LF

LEFT FRONT POST



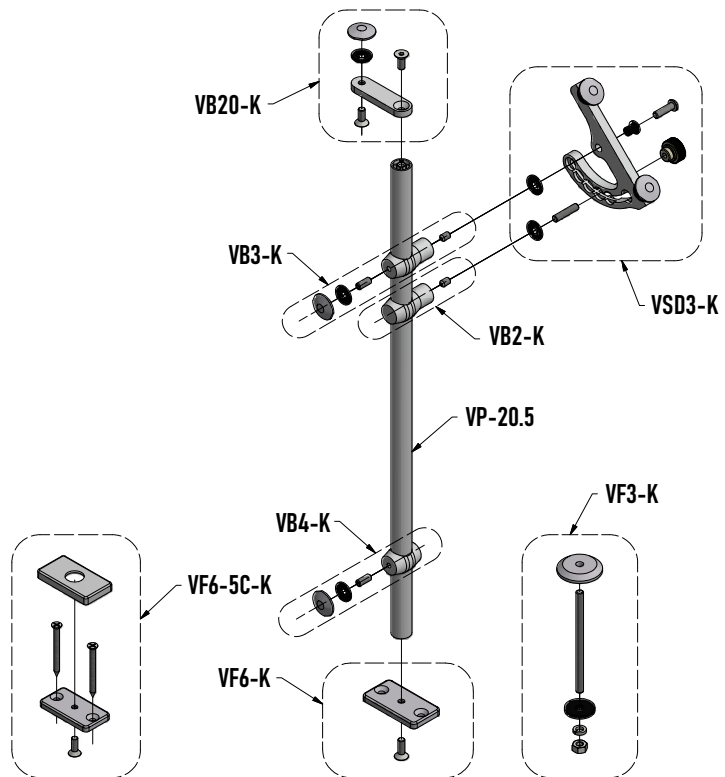
V23-RF

RIGHT FRONT POST



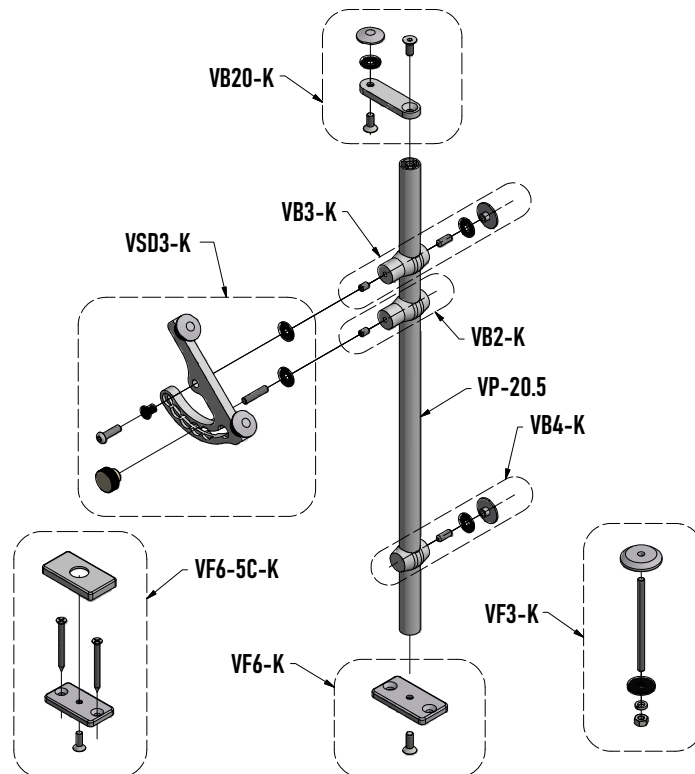
V23-LFE

LEFT FRONT END PANEL POST



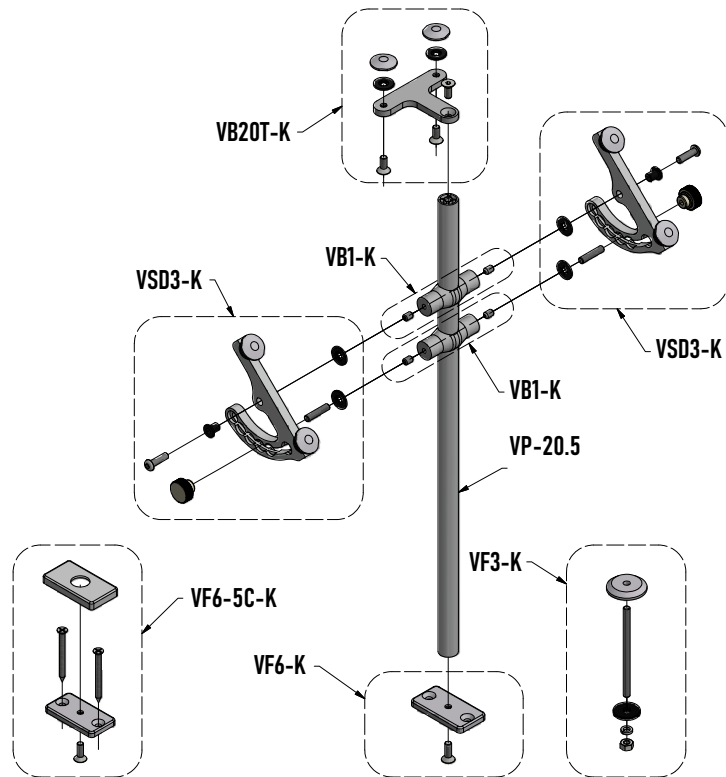
V23-RFE

RIGHT FRONT END PANEL POST



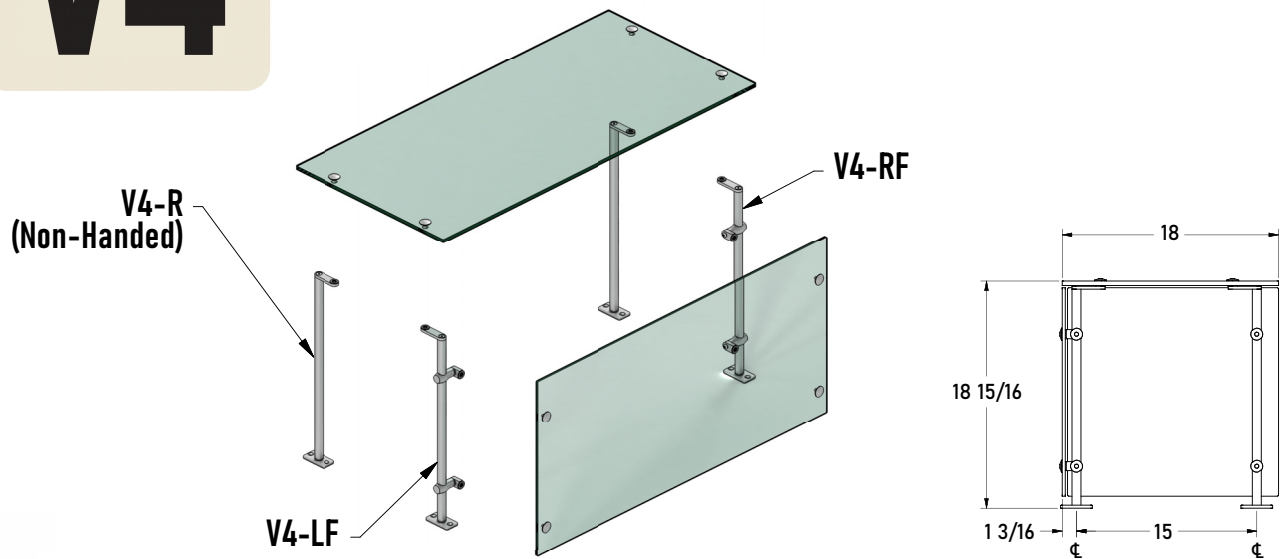
V23-CF

CENTER FRONT POST



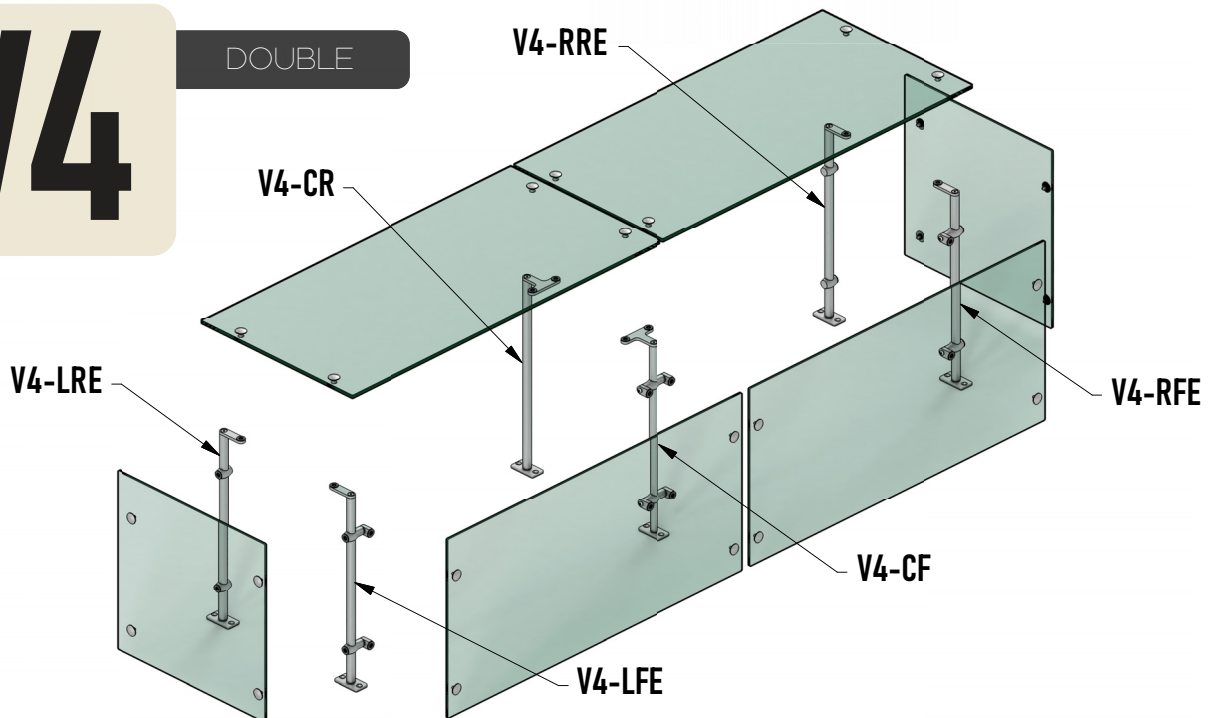
V4

SINGLE



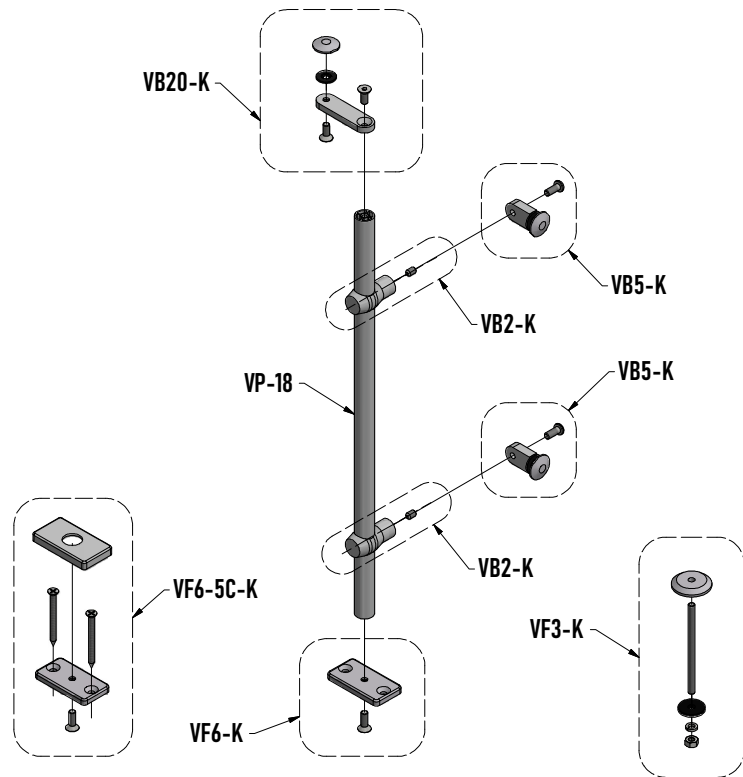
V4

DOUBLE



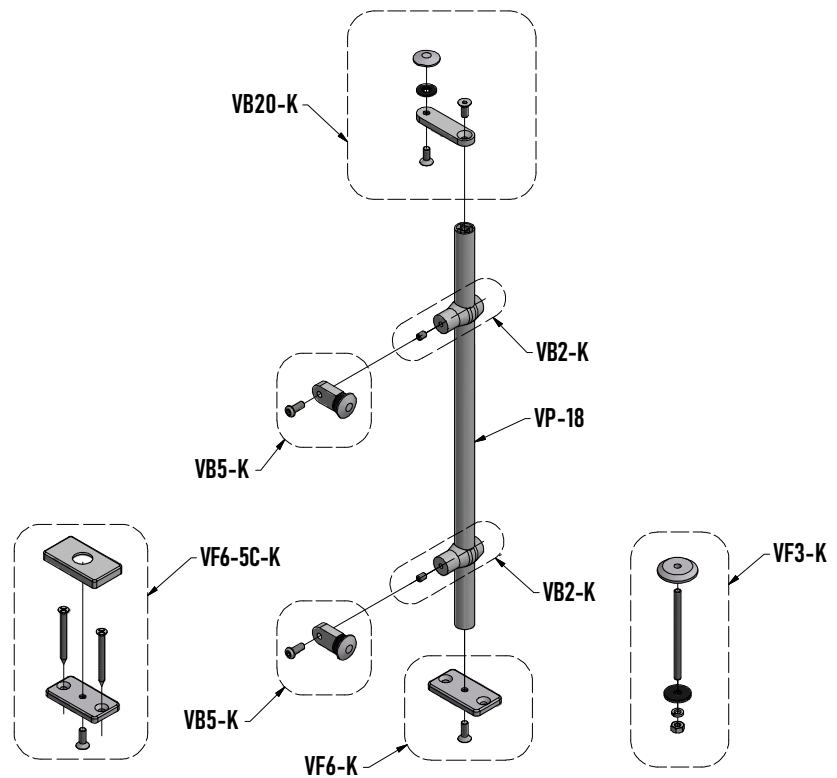
V4-LF

LEFT FRONT POST



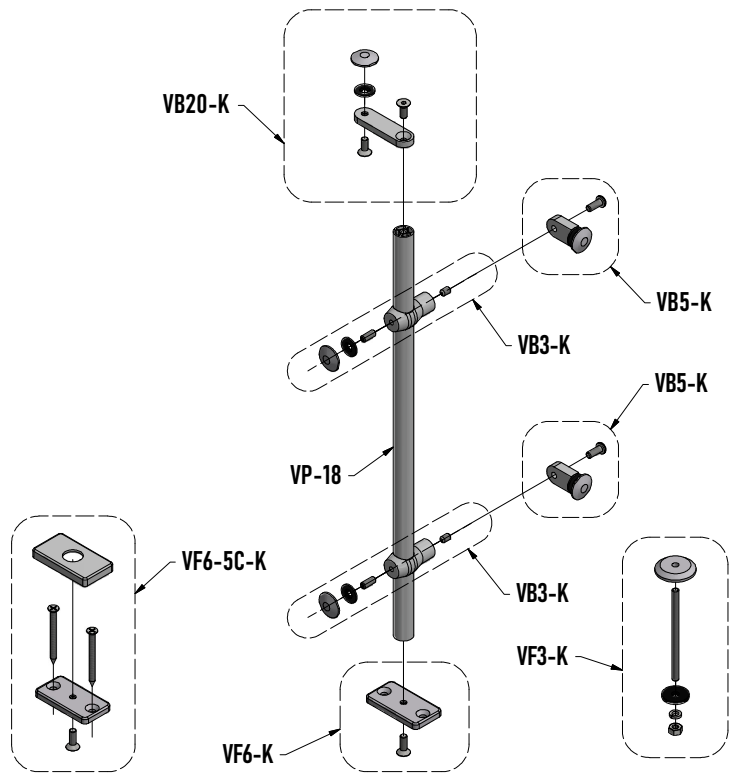
V4-RF

RIGHT FRONT POST



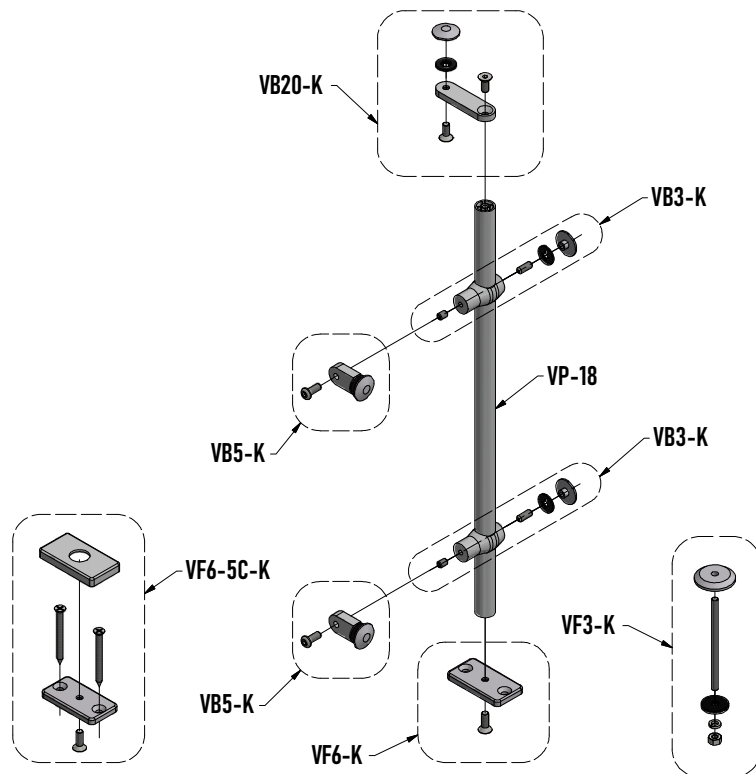
V4-LFE

LEFT FRONT END PANEL POST



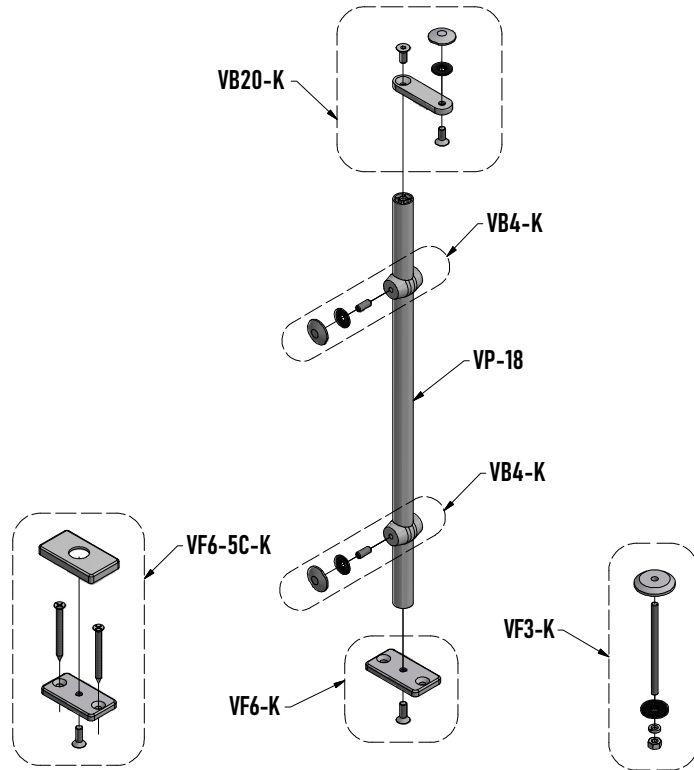
V4-RFE

RIGHT FRONT END PANEL POST



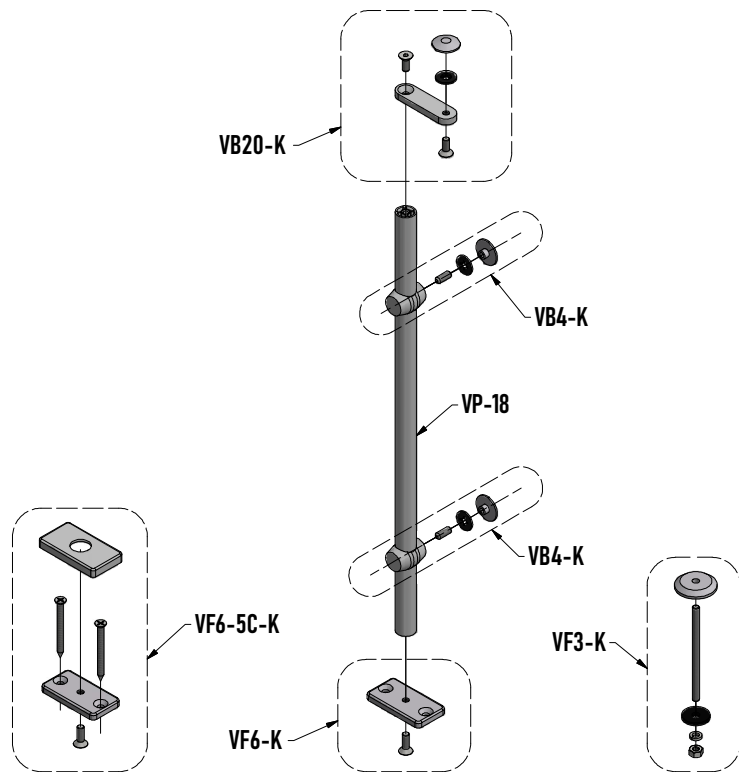
V4-LRE

LEFT REAR END PANEL POST



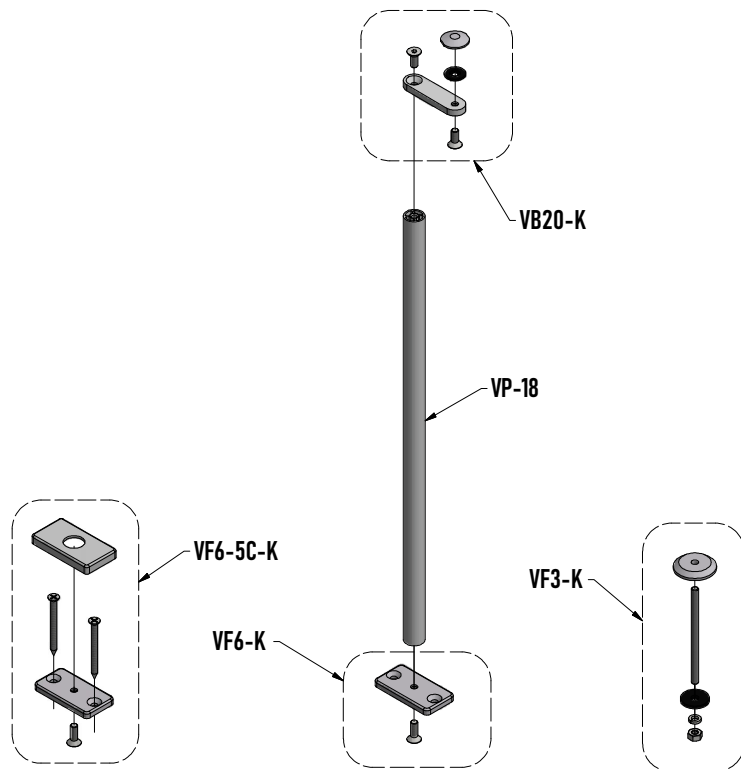
V4-RRE

RIGHT REAR END PANEL POST



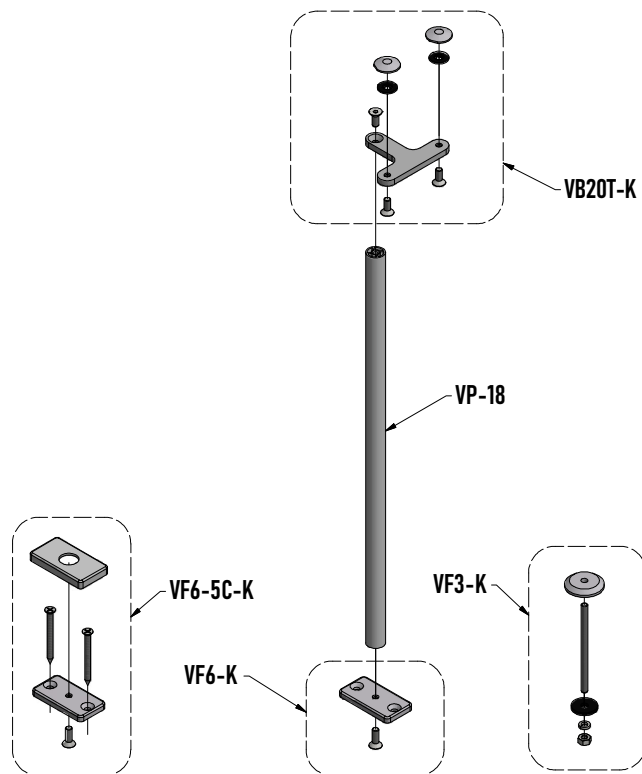
V4-R

REAR POST



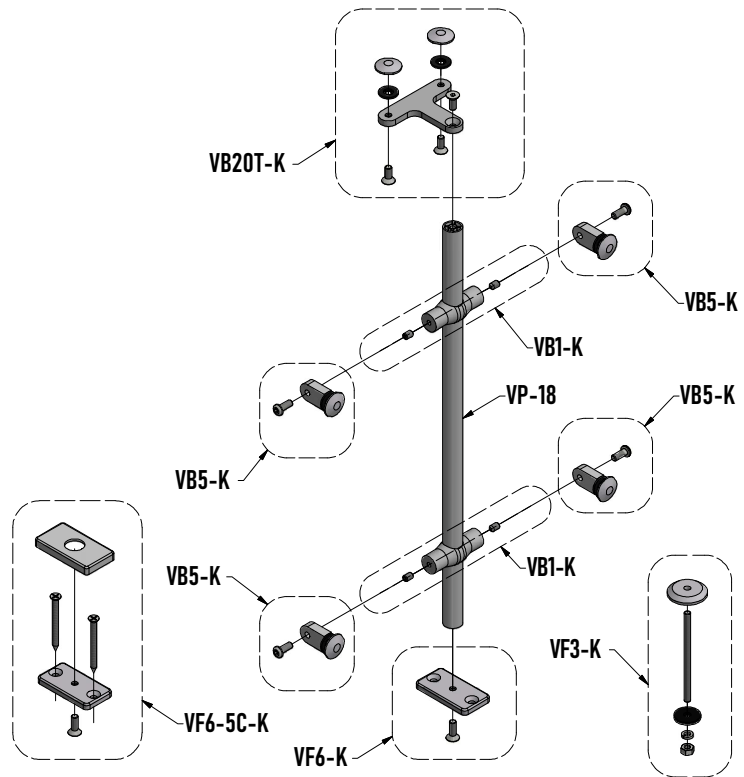
V4-CR

CENTER REAR POST



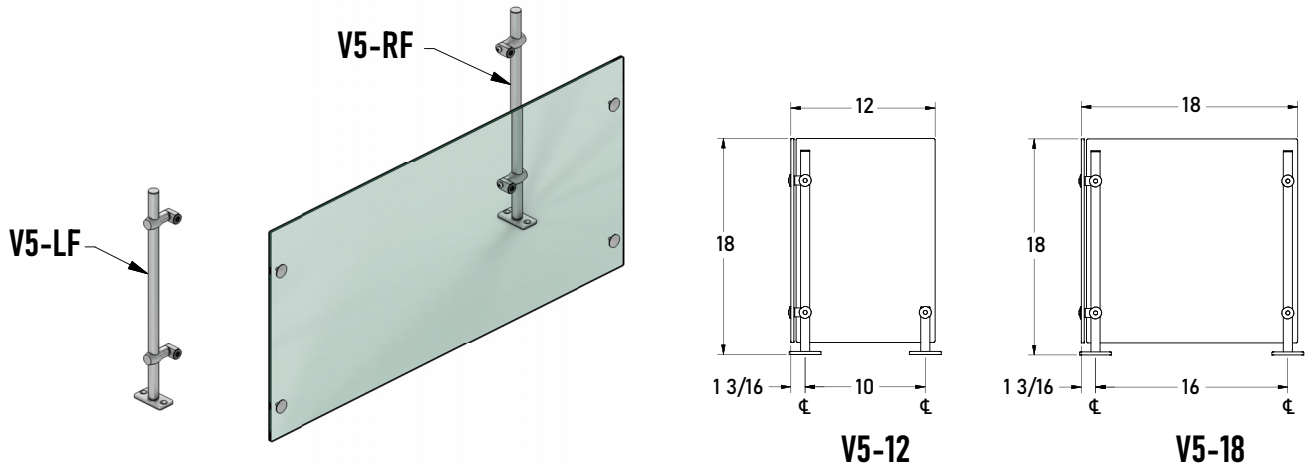
V4-CF

CENTER FRONT POST



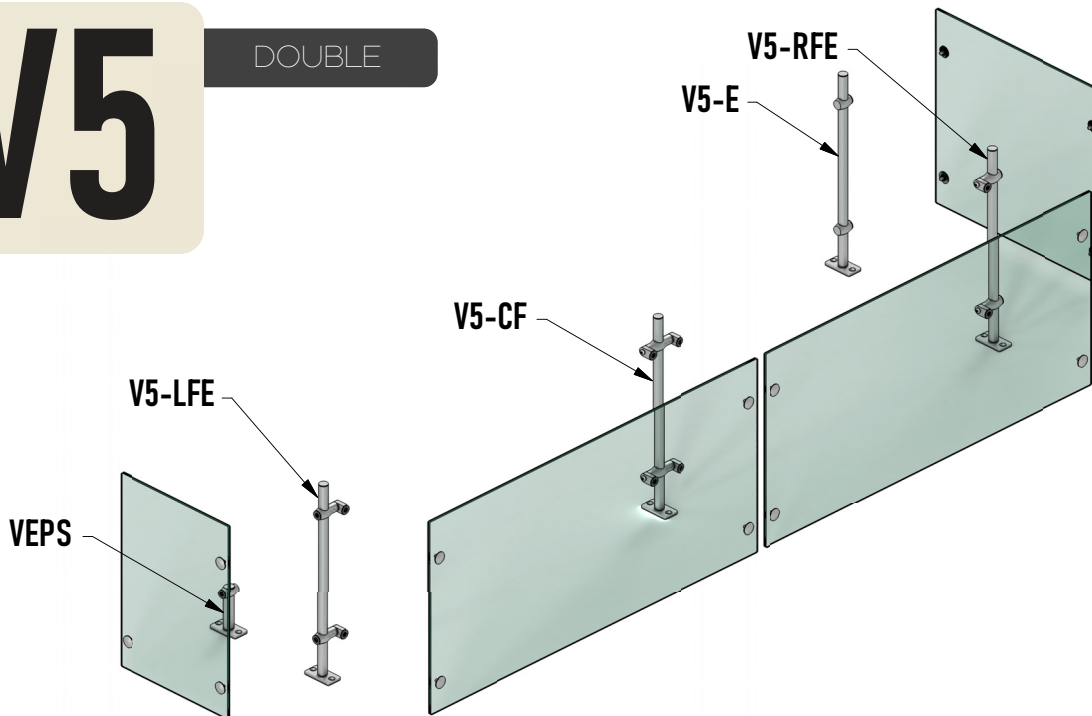
V5

SINGLE



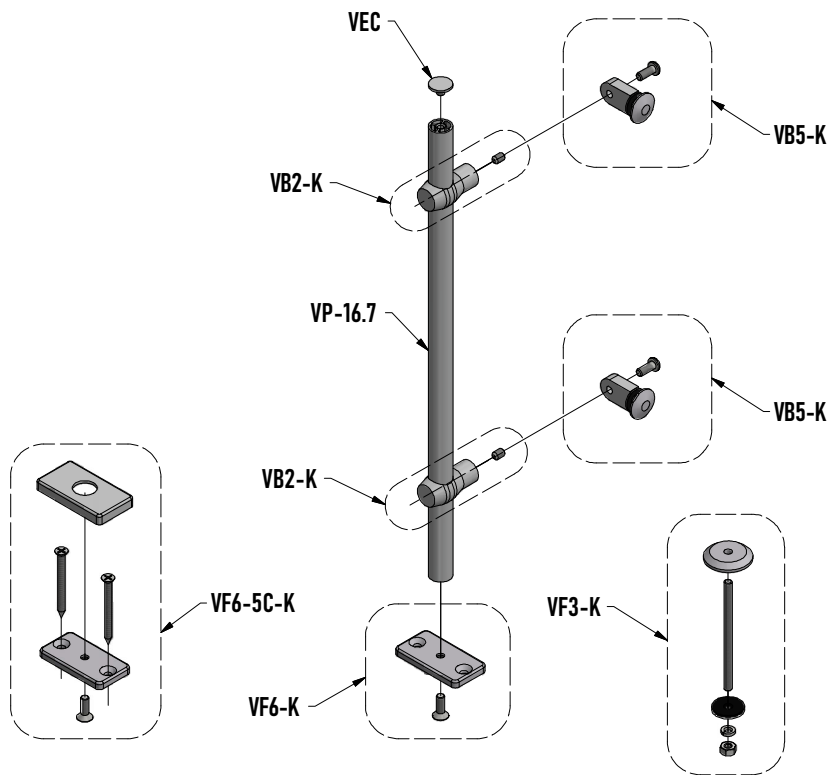
V5

DOUBLE



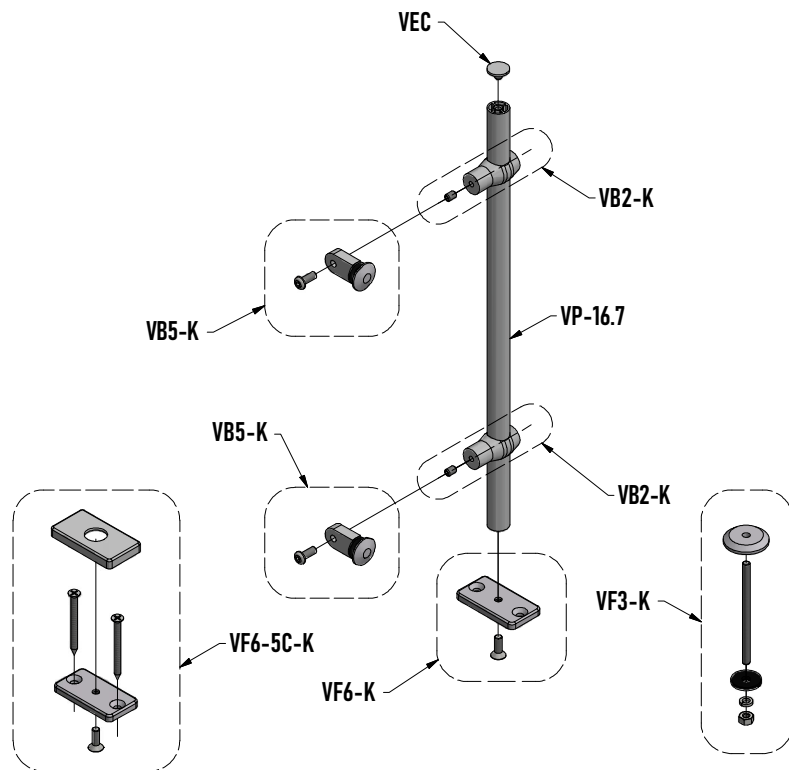
V5-LF

LEFT FRONT POST



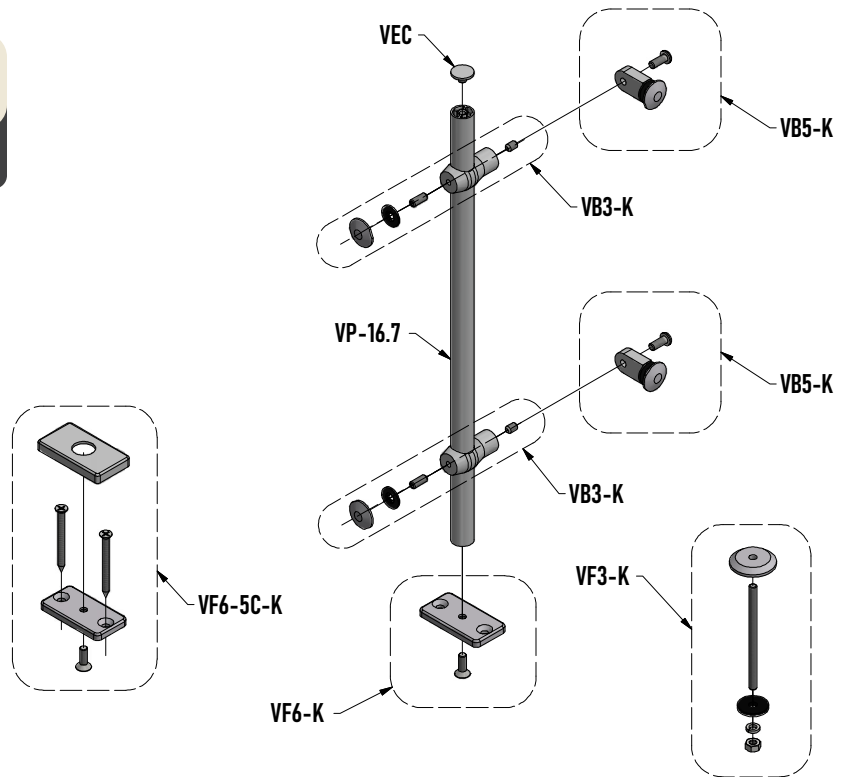
V5-RF

RIGHT FRONT POST



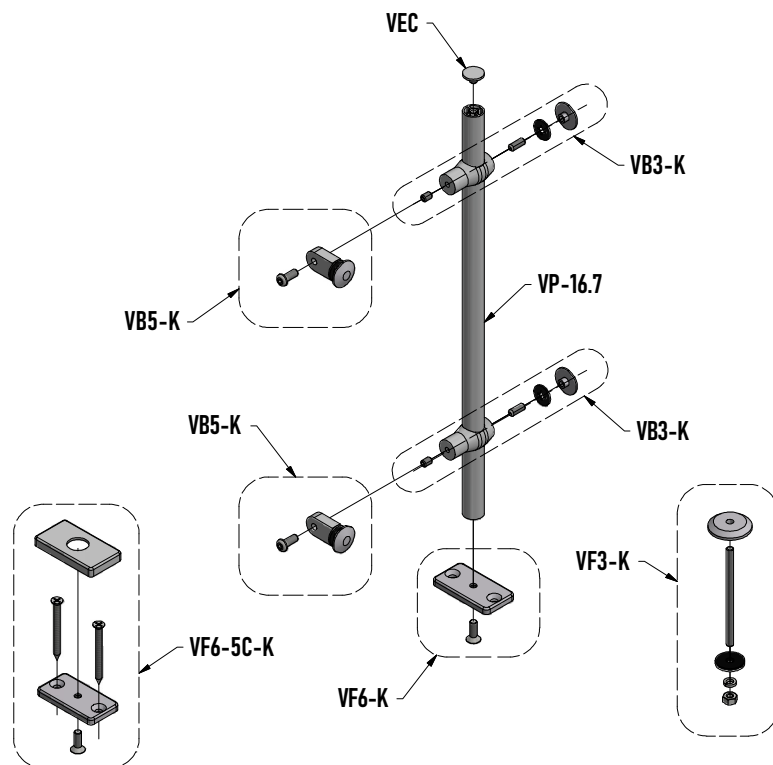
V5-LFE

LEFT FRONT END PANEL POST



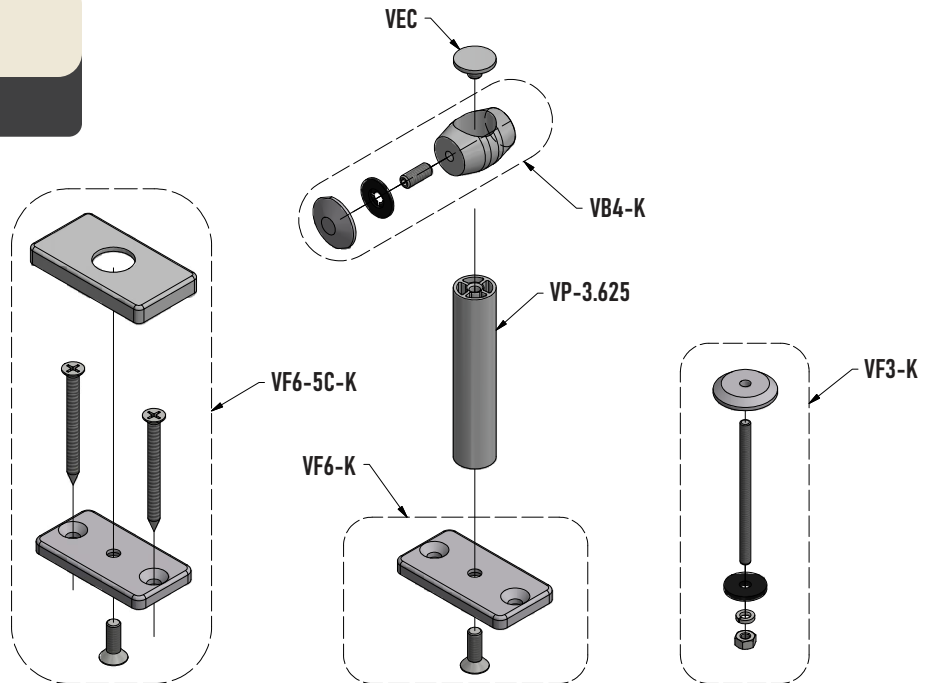
V5-RFE

RIGHT FRONT END PANEL POST



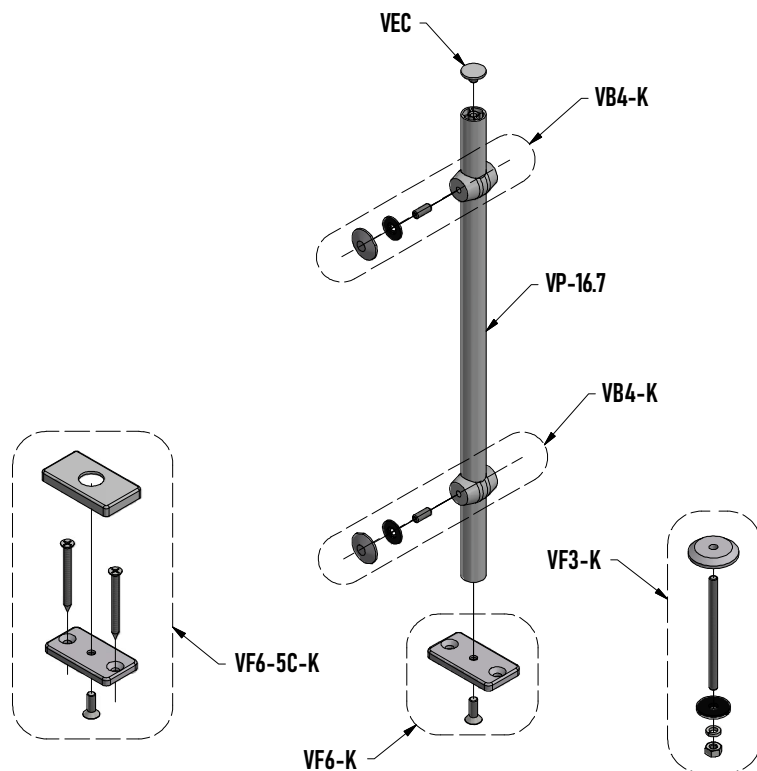
VEPS

END PANEL POST



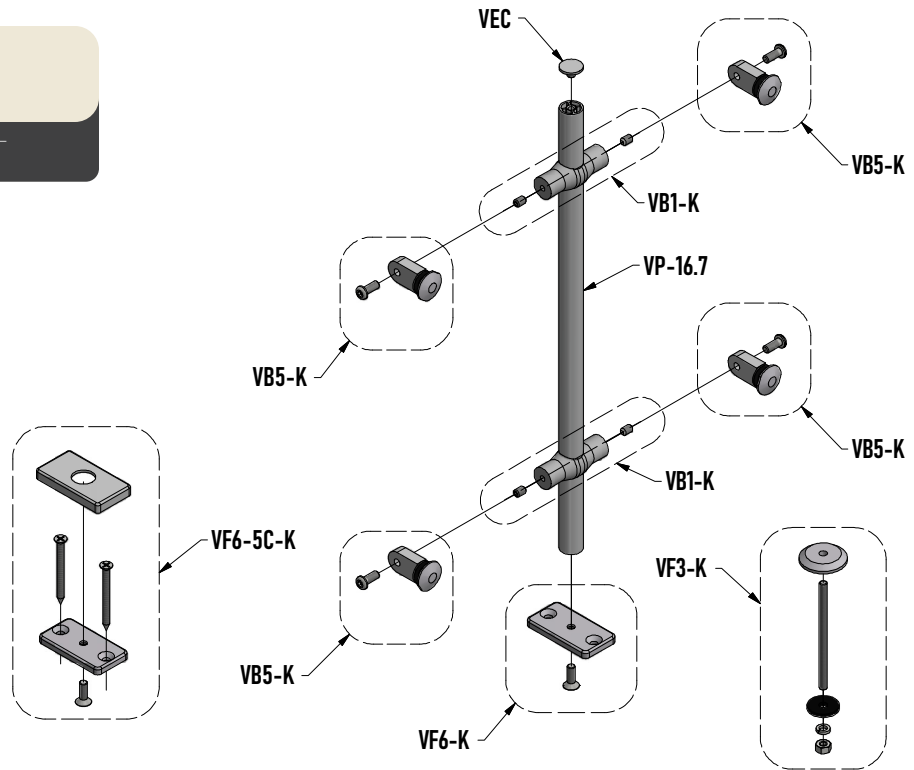
V5-E

END POST



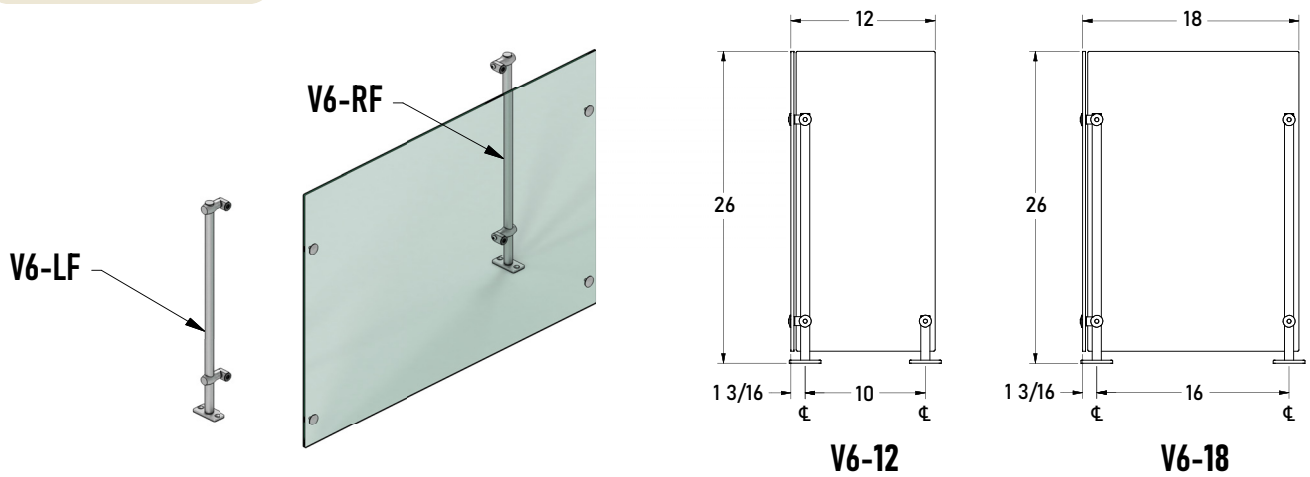
V5-CF

CENTER FRONT POST



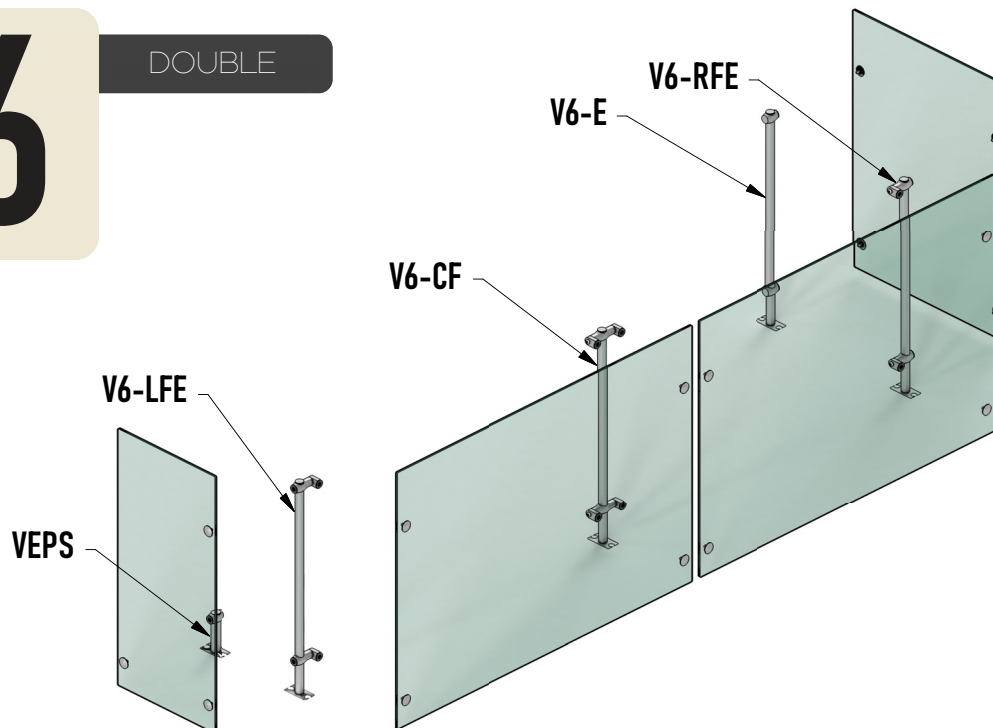
V6

SINGLE



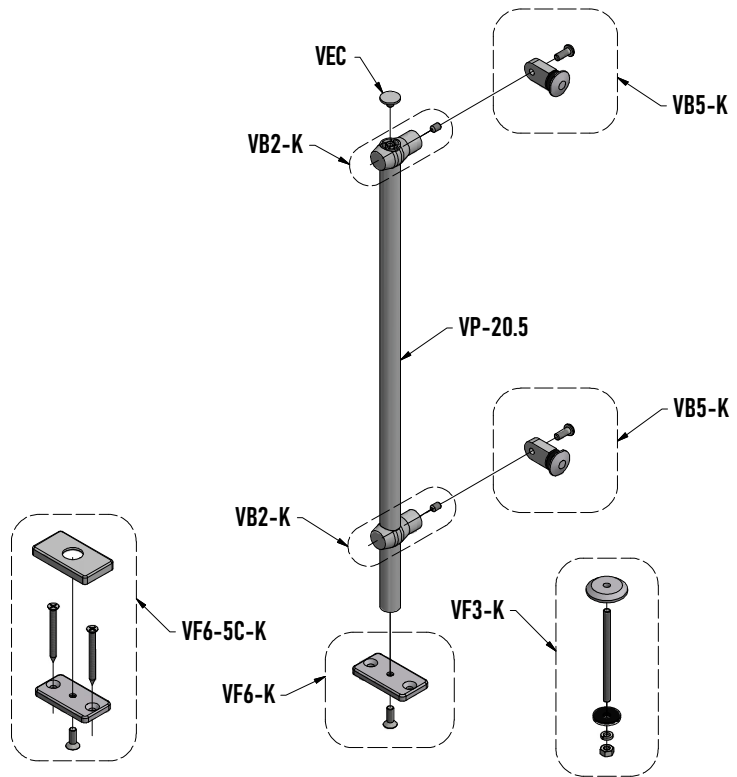
V6

DOUBLE



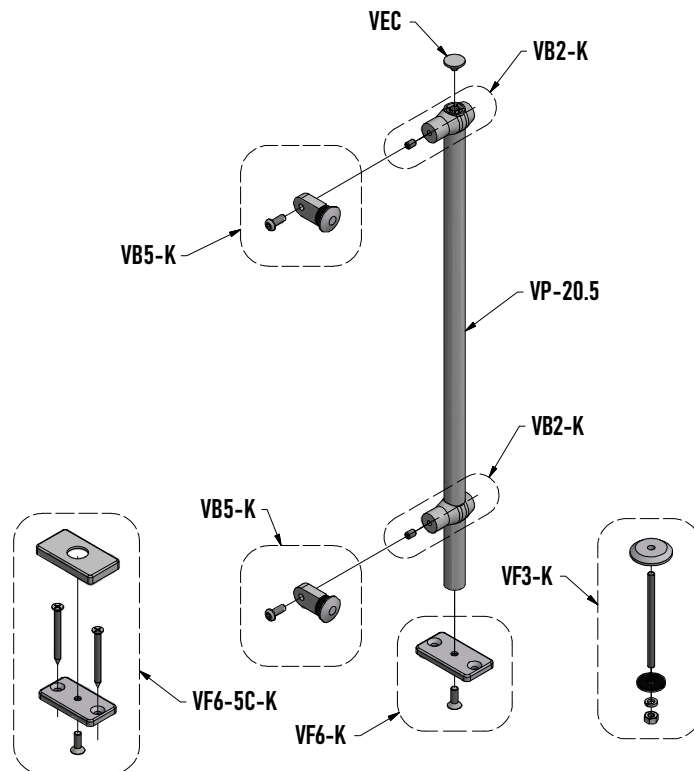
V6-LF

LEFT FRONT POST



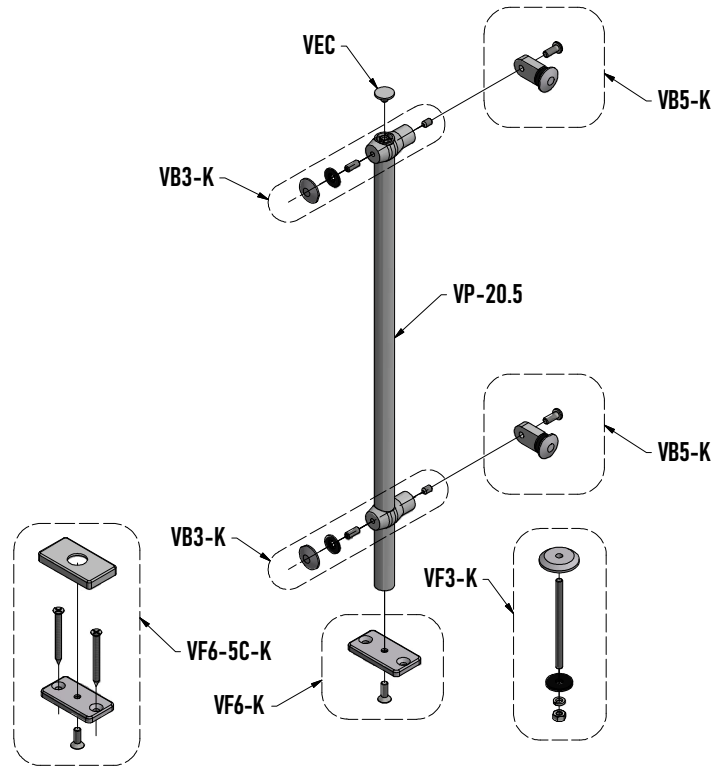
V6-RF

RIGHT FRONT POST



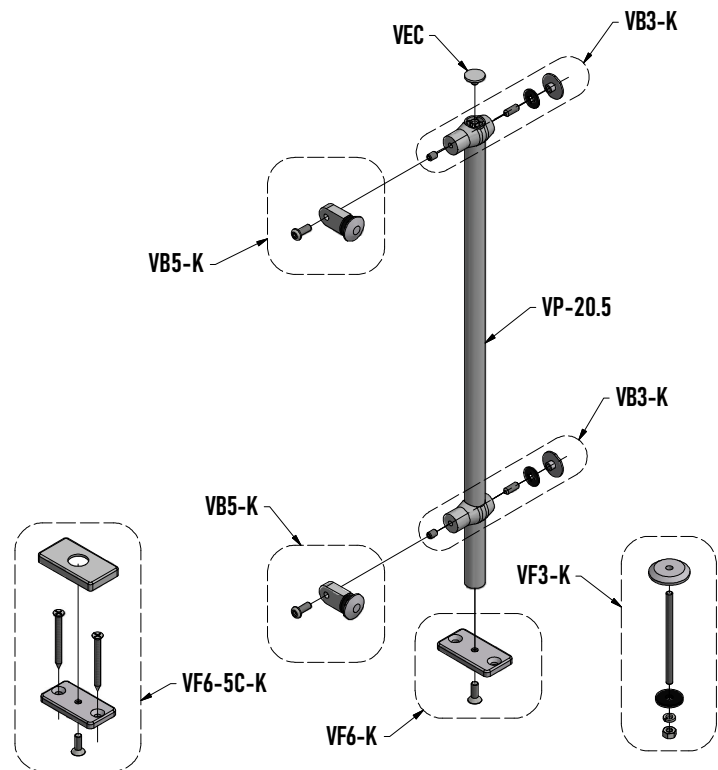
V6-LFE

LEFT FRONT END PANEL POST



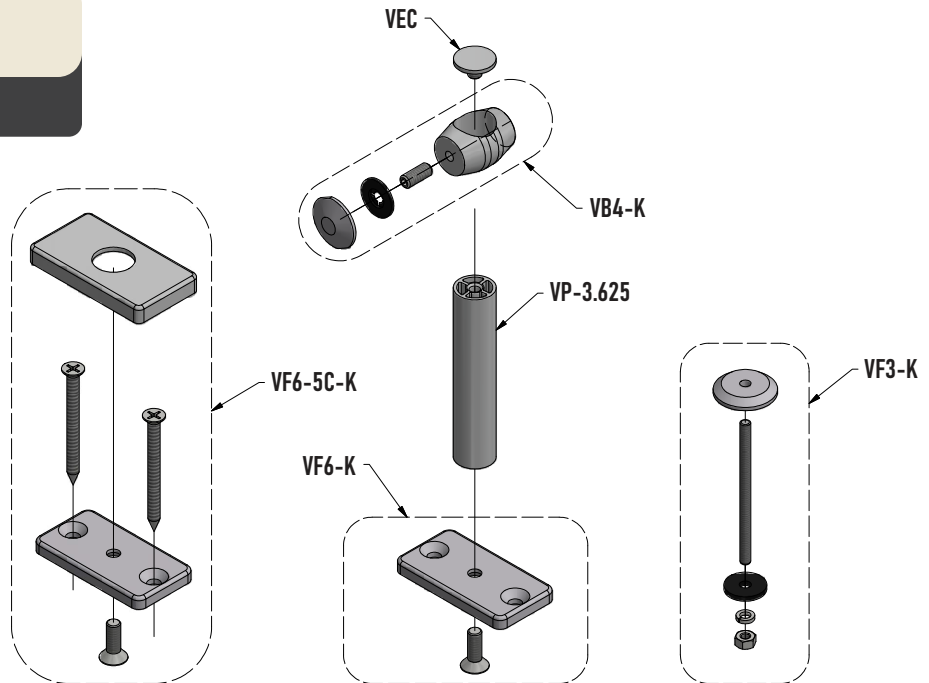
V6-RFE

RIGHT FRONT END PANEL POST



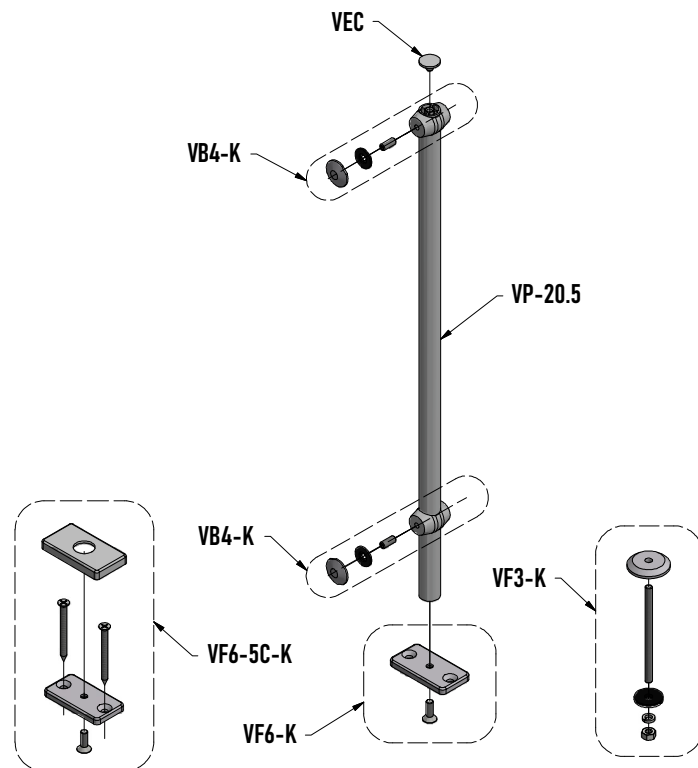
VEPS

END PANEL POST



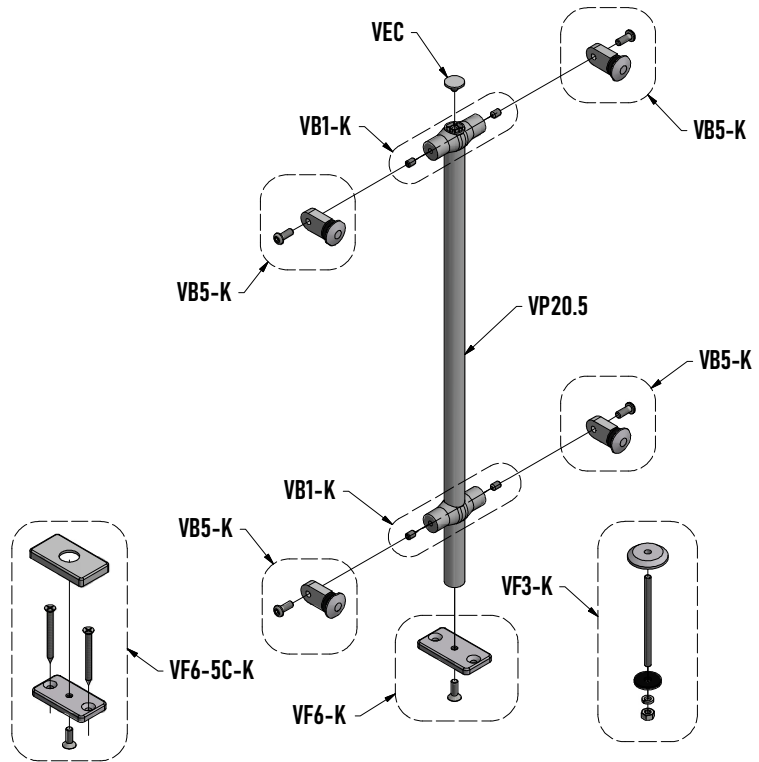
V6-E

END POST



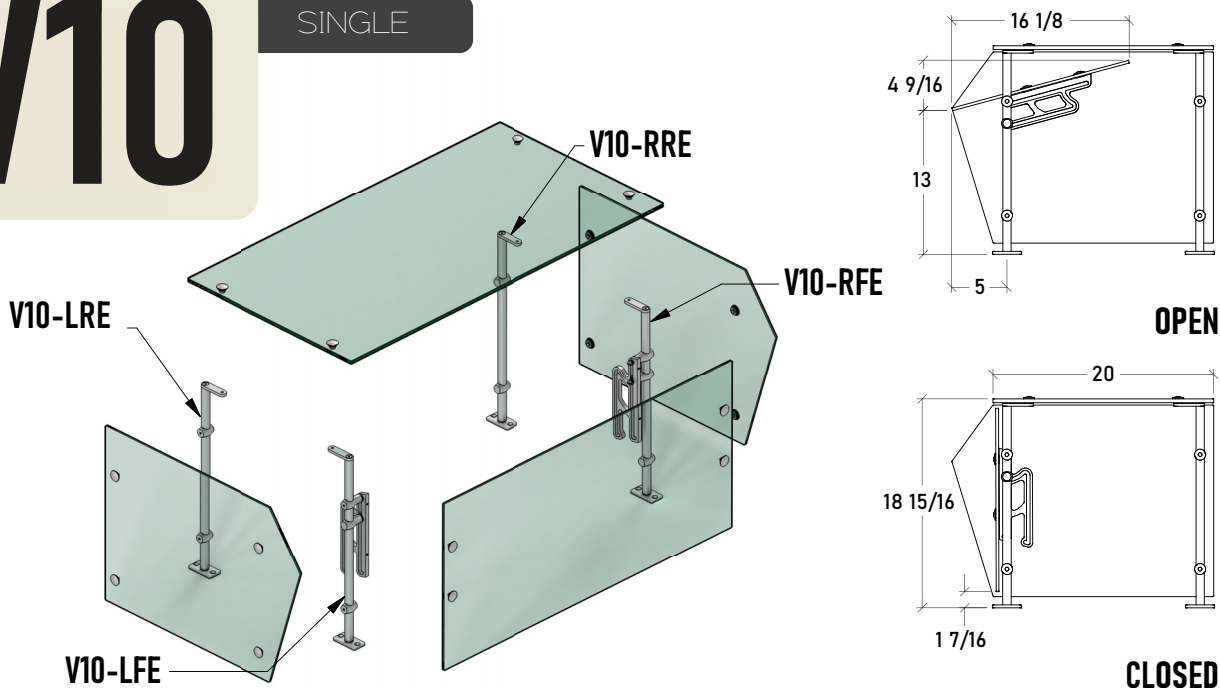
V6-CF

CENTER FRONT POST



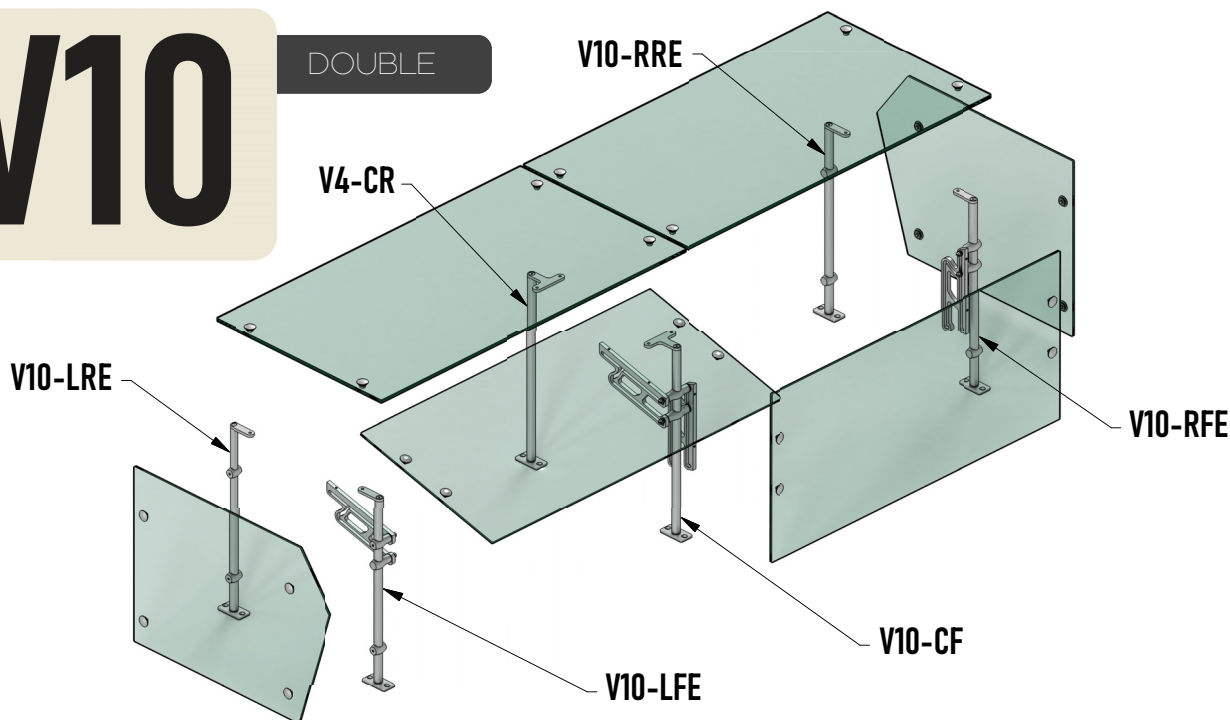
V10

SINGLE



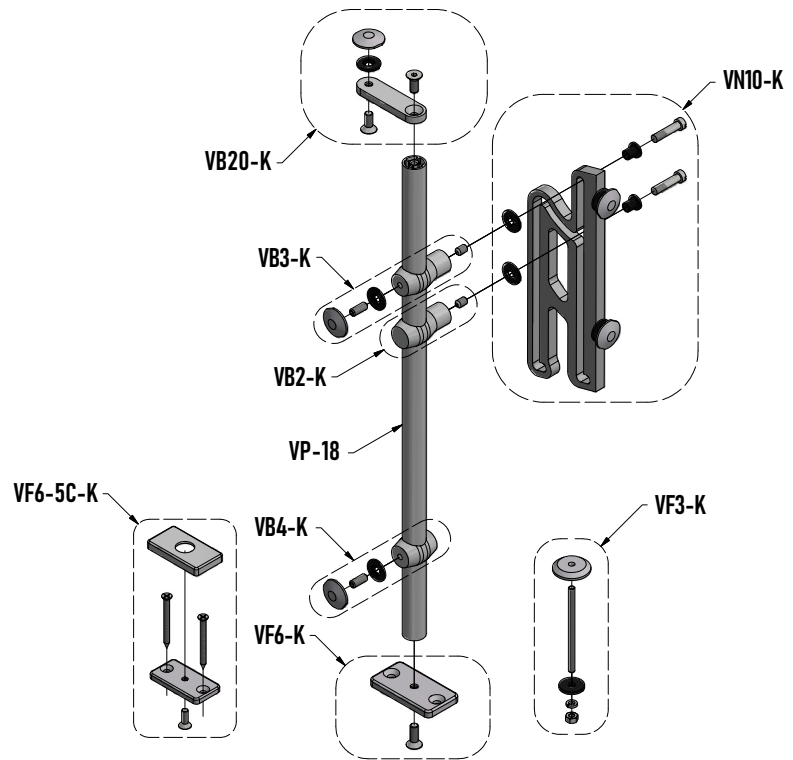
V10

DOUBLE



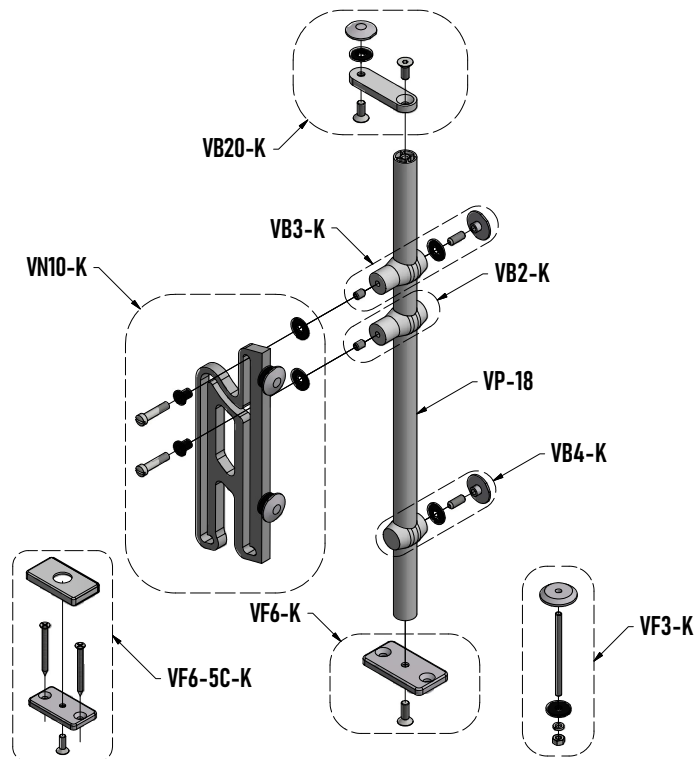
V10-LFE

LEFT FRONT END PANEL POST



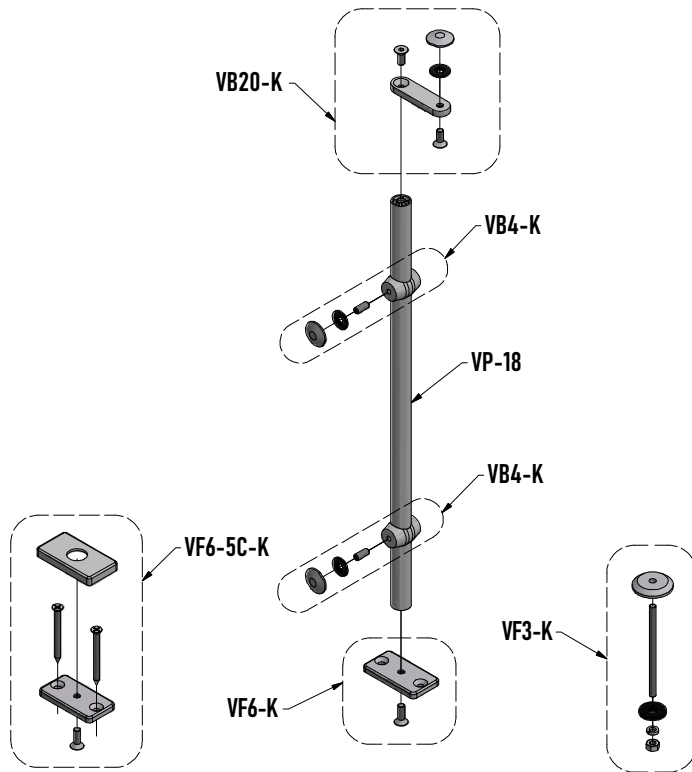
V10-RFE

RIGHT FRONT END PANEL POST



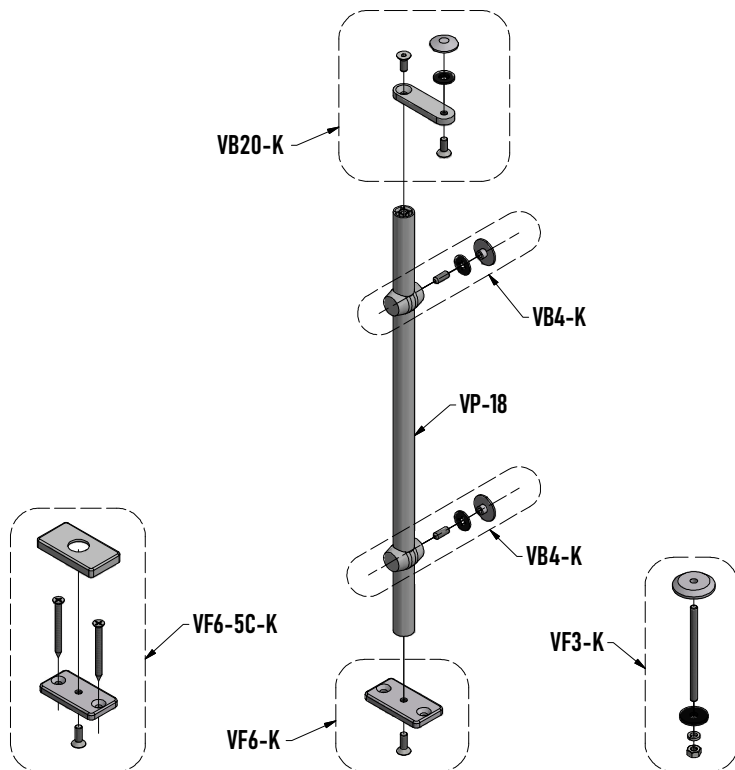
V10-LRE

LEFT REAR END PANEL POST



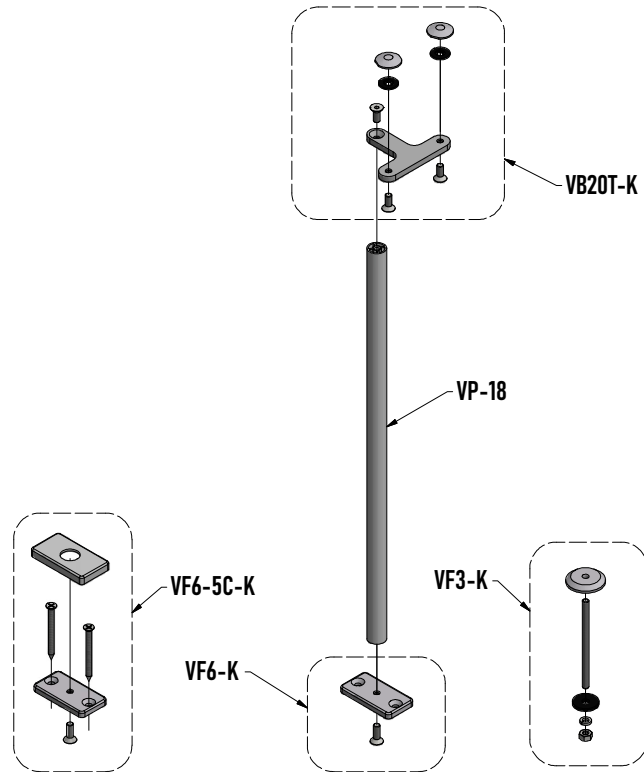
V10-RRE

RIGHT REAR END PANEL POST



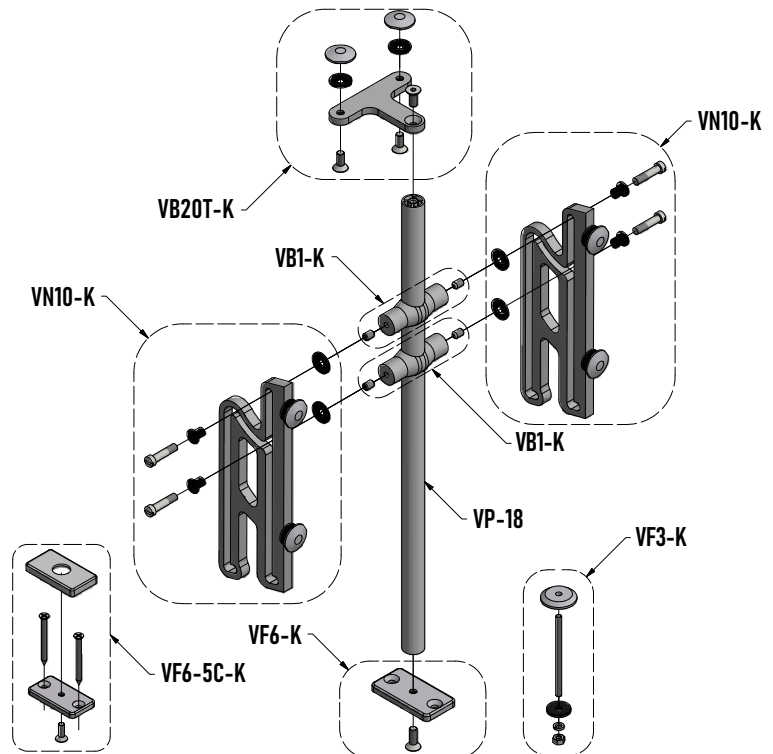
V4-CR

CENTER FRONT POST



V10-CF

RIGHT FRONT POST



ATTACHMENT HARDWARE

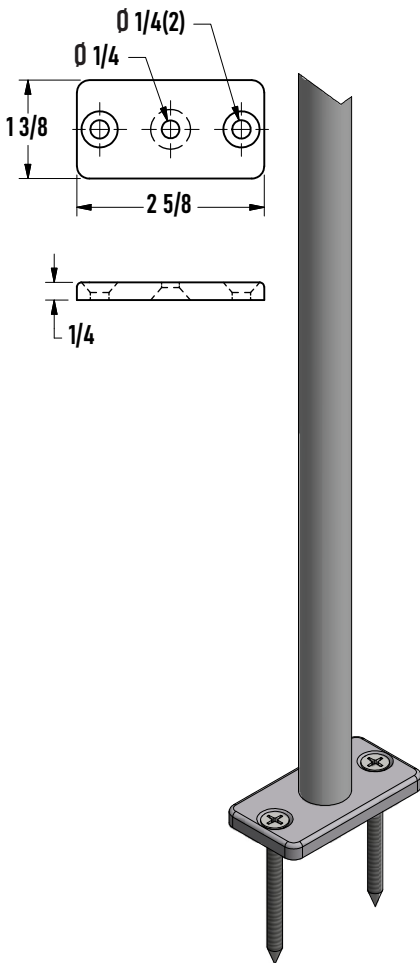
VF6 IS STANDARD UNLESS OTHERWISE SPECIFIED

THROUGH BOLT OPTION INCLUDES 4"L THREADED STUD, HEAVY-DUTY WASHER, LOCKWASHER AND HEX NUT

COUNTER TOP OPTIONS INCLUDE PHILIPS-DRIVE, SHEET METAL SCREWS, (#10 x 2 1/2" LONG) AS ILLUSTRATED.

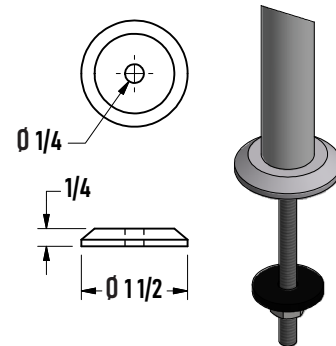
VF6

COUNTER TOP



VF3

THROUGH BOLT



VF6 - VF5C

COUNTER TOP W/ COVER

