

V1

Double Section

Adjustable Self-Service Food Shield

Centerline Lengths: (L) _____ (R) _____

Max C = 51" w/ $\frac{1}{4}$ " Thick Adjustable Panel

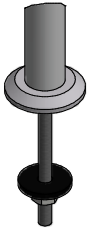
Max C = 61" w/ $\frac{3}{8}$ " Thick Adjustable Panel

End Panel(s)

Left

Right

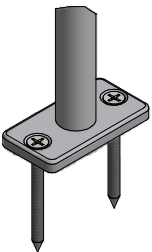
Attachment Hardware Selection



VF3
Through Bolt

Clear = $\text{C} - 1\frac{1}{2}$

O.A. = $\text{C} + 1\frac{1}{2}$



VF6
Countertop

Clear = $\text{C} - 1\frac{3}{8}$

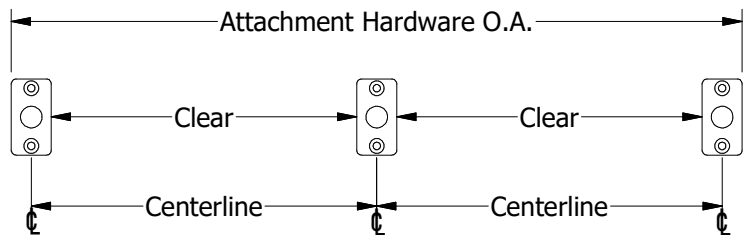
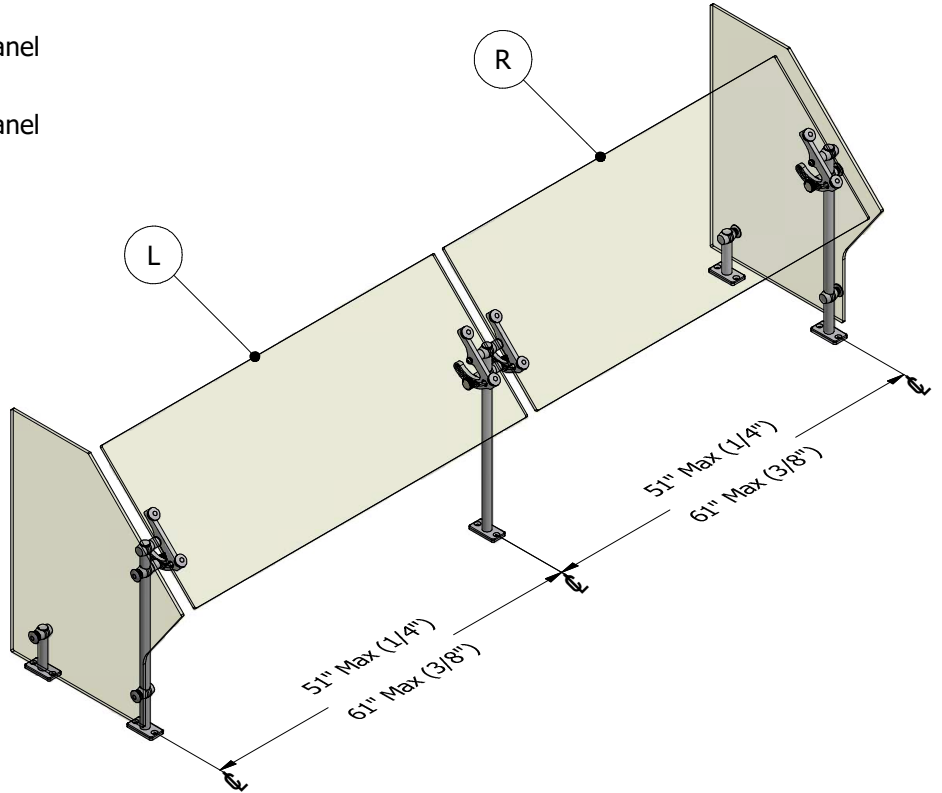
O.A. = $\text{C} + 1\frac{3}{8}$



VF6-5C
Countertop w/ Cover

Clear = $\text{C} - 1\frac{1}{2}$

O.A. = $\text{C} + 1\frac{1}{2}$



vanilla™



Satin Clear Anodized Aluminum

Customer Name:

Project Name:

Date Submitted:

Quantity Required:

All product designs © vanilla 2020. No part of the drawings / designs / pictures / renderings represented may be reproduced or transmitted in any form or by photocopying, etc. without expressed written permission by vanilla. Protected by one or more of the following US Patents:

10,292,506 10,413,097