

# V3

## Double Section

Adjustable Dual Sided Self-Service Food Shield

Centerline Lengths: (L) \_\_\_\_\_ (R) \_\_\_\_\_

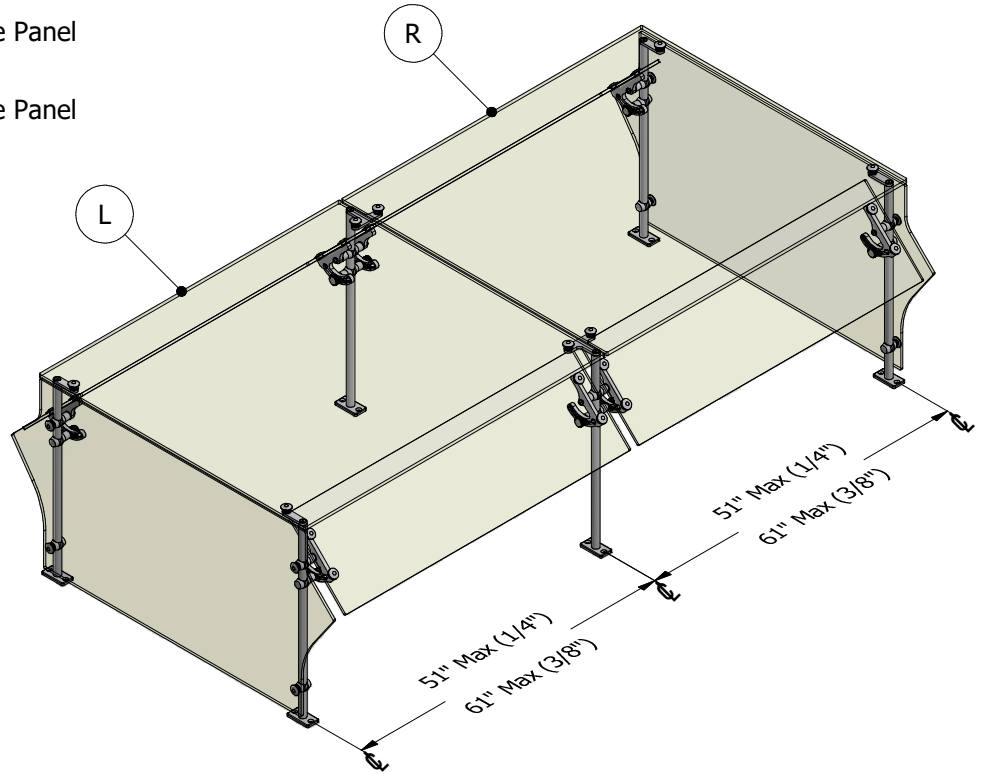
Max  $\text{C}$  = 51" w/  $\frac{1}{4}$ " Thick Adjustable Panel

Max  $\text{C}$  = 61" w/  $\frac{3}{8}$ " Thick Adjustable Panel

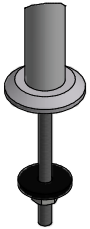
End Panel(s)

Left

Right



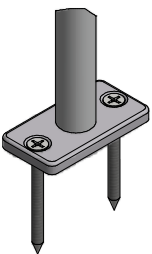
### Attachment Hardware Selection



**VF3**  
Through Bolt

Clear =  $\text{C}$  -  $1\frac{1}{2}$

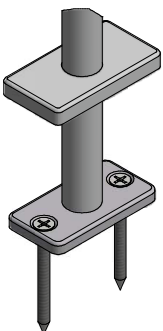
O.A. =  $\text{C}$  +  $1\frac{1}{2}$



**VF6**  
Countertop

Clear =  $\text{C}$  -  $1\frac{3}{8}$

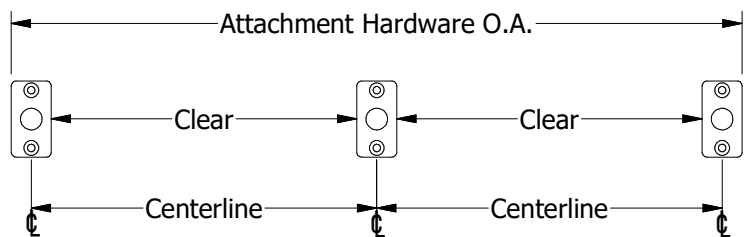
O.A. =  $\text{C}$  +  $1\frac{3}{8}$



**VF6-5C**  
Countertop w/ Cover

Clear =  $\text{C}$  -  $1\frac{1}{2}$

O.A. =  $\text{C}$  +  $1\frac{1}{2}$



# vanilla™



Satin Clear Anodized Aluminum

Customer Name:

Project Name:

Date Submitted:

Quantity Required:

All product designs © vanilla 2020. No part of the drawings / designs / pictures / renderings represented may be reproduced or transmitted in any form or by photocopying, etc. without expressed written permission by vanilla. Protected by one or more of the following US Patents:

10,292,506 10,413,097