

V4

Single Section

Enclosed Operator-Served Food Shield

Centerline Length: _____

Max C = 51" w/ $\frac{1}{4}$ " Thick Adjustable Panel

Max C = 61" w/ $\frac{3}{8}$ " Thick Adjustable Panel

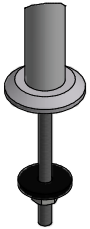
End Panel(s)

(From Customer Side)

Left

Right

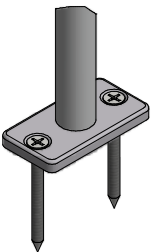
Attachment Hardware Selection



VF3
Through Bolt

Clear = C - $\frac{1}{2}$

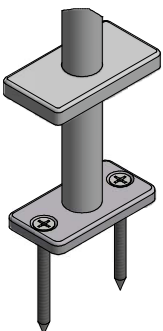
O.A. = C + $\frac{1}{2}$



VF6
Countertop

Clear = C - $\frac{3}{8}$

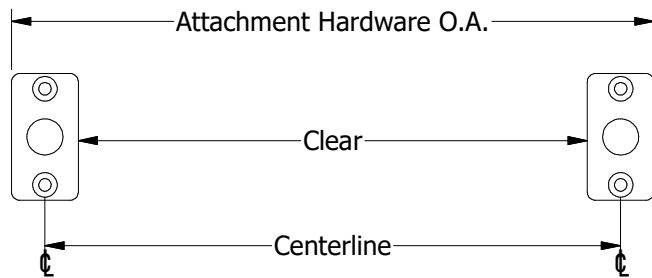
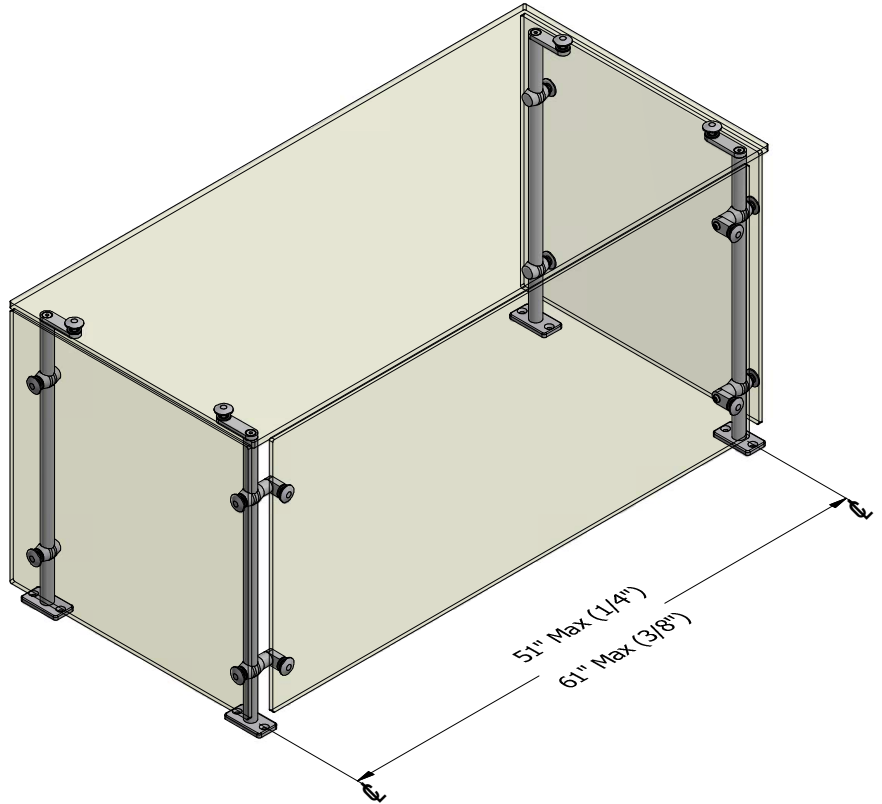
O.A. = C + $\frac{3}{8}$



VF6-5C
Countertop w/ Cover

Clear = C - $\frac{1}{2}$

O.A. = C + $\frac{1}{2}$



vanilla™		NSF®
Satin Clear Anodized Aluminum		
Customer Name:	Project Name:	
Date Submitted:	Quantity Required:	
<small>All product designs © vanilla 2020. No part of the drawings / designs / pictures / renderings represented may be reproduced or transmitted in any form or by photocopying, etc. without expressed written permission by vanilla. Protected by one or more of the following US Patents: 10,292,506 10,413,097</small>		