

V6

Double Section Vertical Food Shield

Centerline Lengths: (L) _____ (R) _____

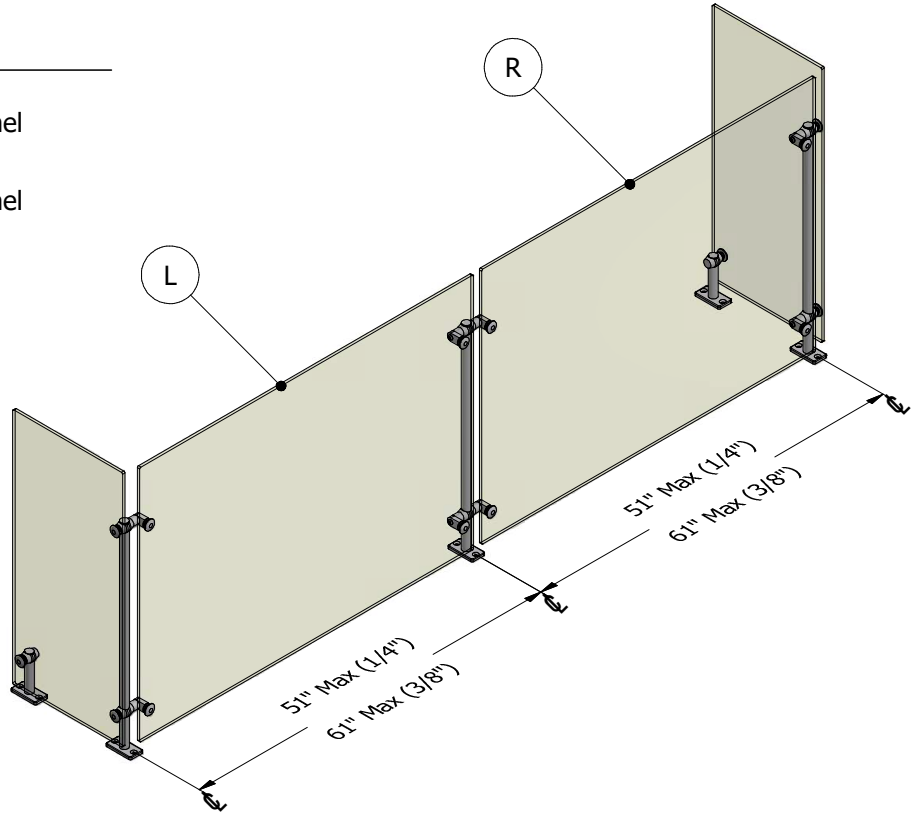
Max C = 51" w/ $\frac{1}{4}$ " Thick Adjustable Panel

Max C = 61" w/ $\frac{3}{8}$ " Thick Adjustable Panel

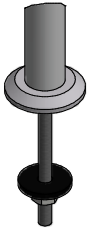
End Panel(s)

Left

Right



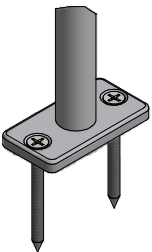
Attachment Hardware Selection



VF3
Through Bolt

Clear = C - $1\frac{1}{2}$

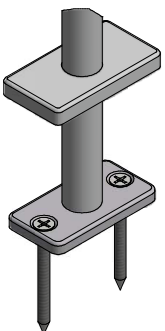
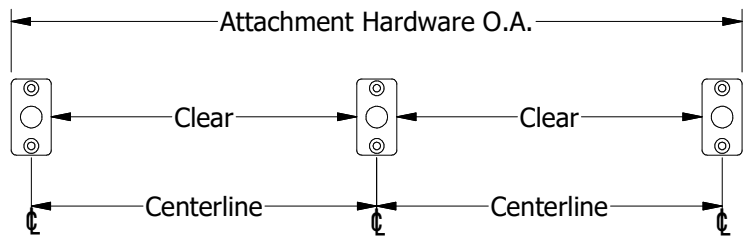
O.A. = C + $1\frac{1}{2}$



VF6
Countertop

Clear = C - $1\frac{3}{8}$

O.A. = C + $1\frac{3}{8}$



VF6-5C
Countertop w/ Cover

Clear = C - $1\frac{1}{2}$

O.A. = C + $1\frac{1}{2}$

vanilla™



Satin Clear Anodized Aluminum

Customer Name:

Project Name:

Date Submitted:

Quantity Required:

All product designs © vanilla 2020. No part of the drawings / designs / pictures / renderings represented may be reproduced or transmitted in any form or by photocopying, etc. without expressed written permission by vanilla. Protected by one or more of the following US Patents:

10,292,506 10,413,097