

# V6

## Single Section Vertical Food Shield

Centerline Length: \_\_\_\_\_

Max  $\text{CL}$  = 51" w/  $\frac{1}{4}$ " Thick Adjustable Panel

Max  $\text{CL}$  = 61" w/  $\frac{3}{8}$ " Thick Adjustable Panel

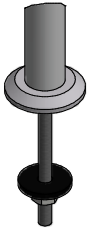
End Panel(s)

(From Customer Side)

Left

Right

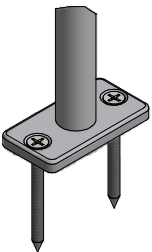
### Attachment Hardware Selection



**VF3**  
Through Bolt

Clear =  $\text{CL} - 1\frac{1}{2}$

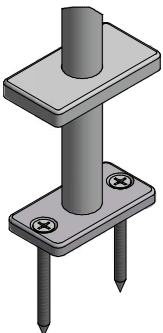
O.A. =  $\text{CL} + 1\frac{1}{2}$



**VF6**  
Countertop

Clear =  $\text{CL} - 1\frac{3}{8}$

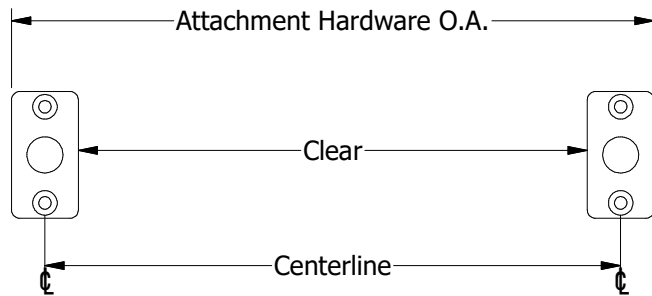
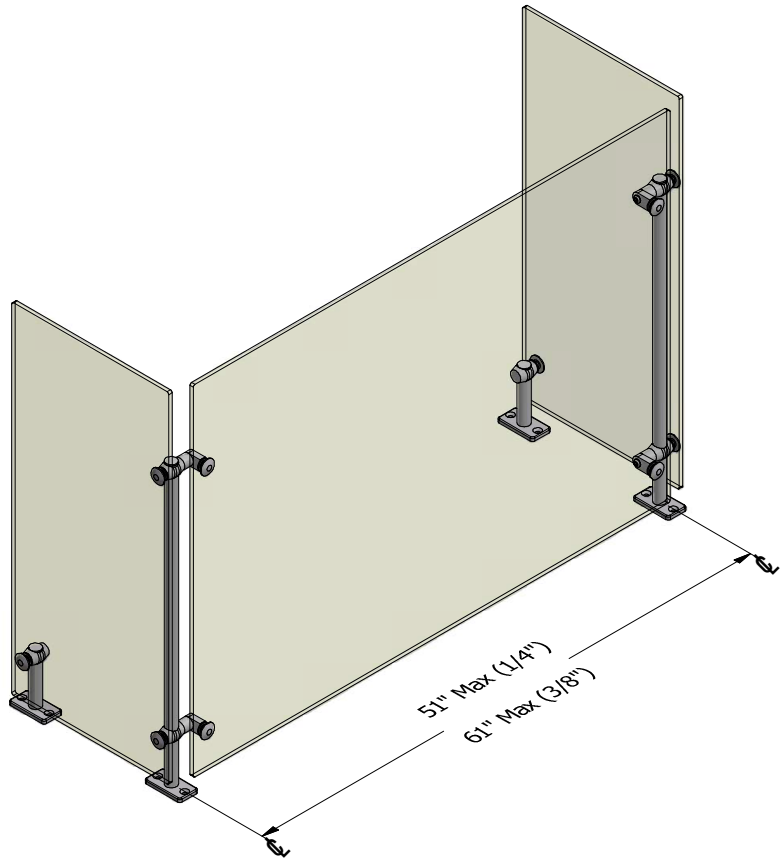
O.A. =  $\text{CL} + 1\frac{3}{8}$



**VF6-5C**  
Countertop w/ Cover

Clear =  $\text{CL} - 1\frac{1}{2}$

O.A. =  $\text{CL} + 1\frac{1}{2}$



<b>vanilla™</b>		<b>NSF®</b>
Satin Clear Anodized Aluminum		
Customer Name:	Project Name:	
Date Submitted:	Quantity Required:	
<small>All product designs © vanilla 2020. No part of the drawings / designs / pictures / renderings represented may be reproduced or transmitted in any form or by photocopying, etc. without expressed written permission by vanilla. Protected by one or more of the following US Patents: 10,292,506 10,413,097</small>		